



IK10 Rated  
Vandal  
Resistant



Highest  
Reliability



Hybrid EM  
Technology



IP Rated



10 Year  
Warranty



Glare  
Free



Mounting  
Options

## Features

### OUTPUT

Fully configurable, programmable light engine system with maximum output of 16W per foot and 1600 lumens per foot. Standard output is 8.4W per foot / 840 lumens per foot. See lumen factor chart for more information.

### POWER SUPPLY

- Standard 0-10V: 120-277VAC, 0-10V Dims to Dark (1%), Class II/B, THD < 10%, PF > 0.95. Programmable in 1mA increments up to 96W.
- DALI: 120-277VAC, Dims to Dark (1%), Class II/B, THD < 10%, PF > 0.95. Programmable in 1mA increments up to 96W.

### SOURCE

Custom sorted and binned, high efficiency LED engines with minimum 2.5 SCDM color consistency. LED lifetime exceeds 50k hours at all outputs at ambient temperatures up to 125F.

### MOUNTING

- Yoke / pendant mount
- Surface mount slotted feet
- Wall mount stairwell brackets
- Corner mount adjustable brackets

### HOUSING

- Rugged, 3 mil Post powder coat extruded aluminum housings, minimum wall thickness of .125". Rated to IK10 vandal rating. All hardware is tamper-proof stainless steel unless requested otherwise.
- All gaskets are continuous die cut silicone.
- All lenses are low smoke, F1 (UV protected outdoor) rated polycarbonate.
- **VR65 HOUSING**  
VR65 is rated to IP65 and has a hinged door for easy maintenance access.
- **VR66 HOUSING**  
The VR66 is rated to IP66 and has tamper-proof hardware on both sides of the door frame to meet the stringent IP66 specification. There is no hinge on the VR66 version.

### FINISH

#### Standard colors are:

- Apogee Matte Black
- Apogee Silver
- Gunmetal
- Platinum Gray
- Custom RAL options available, consult factory - Optional Nano Dust and Moisture Resistant Hydrophobic coating available for all colors.

### OPTIONS

**Sidecar mounted Hybrid EM:** provides 200-1200VDC operation indefinitely at full lumen output in fixtures up to 6' length at standard output or 4 hour Battery Back-up-at selectable output to achieve NFPA minimum light levels for path of egress. Magnetic test switch and local status indicator lights mounted next to the lens on the fixture face for quick status monitoring. Optional Dali monitoring included with Dali driver option. Consult factory for compatible control system options.

### LENS

Both VR65 and VR66 have round and flat lens options.

### CERTIFICATIONS

UL Listed, IBEW (local 3) Union-Made in the USA. Up to IP66 Rating. IK10 Rated. Salt spray environment approved. Blowing rain tested and approved. Fine metal dust tested and approved (Train brake dust simulation). Blast test rated for tunnel usage. Vibration tested to 2G sinusoidal motion. EMI tested for con-ducted and radiated emissions, proven not to interfere with emergency broadcast systems. Certifications available upon request.



**ORDERING INFORMATION SERIES VR 65**

SERIES	OUTPUT	LENS	COLOR	CONTROLS	LENGTH	MOUNTING	FINISH	OPTIONS
VR 65	L - 6W/ft	RL - Round Lens	27 - 2700k	STD - 0-10V dim	2- 2'	SM - Surface mount	B- Apogee Black	EM - Hybrid 600VD-C/120-277VAC EM system
	S - 8.4W/ft	FL - Flat Lens	30 - 3000k	DA - DALI	3-3'	P- pendant mount	AS - Apogee Silver	*DM - Dali EM Monitoring System
	H - 12W/ft		35 - 3500k		4-4'	W- Wall mount	GM - Gunmetal	BO - Black oxide Hardware
	U - 16W/ft		40 - 4000k		5-5'	CA - Adjustable Corner mount	BS - Black Steel	90 - 90 Minute Bodine Emergency supply
			50 - 5000k		6-6'		PG - Platinum Gray	
					8-8'		RAL - Custom	
					Run		RAL, provide RAL number here	
							NC - Nanocoat	
							MW - Matte White	

Sample Number: VR65-L-RL-40-DA-6-SM-BS-BO

**ORDERING INFORMATION SERIES VR 65**

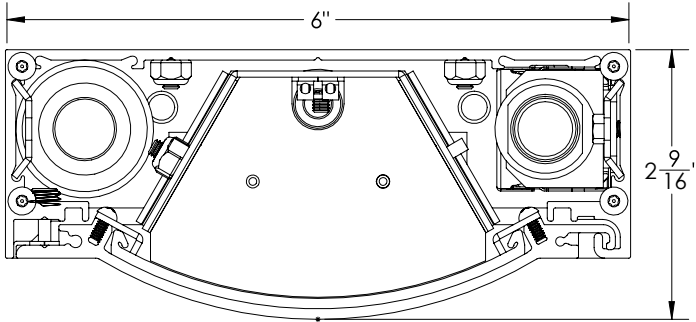
SERIES	OUTPUT	LENS	COLOR	CONTROLS	LENGTH	MOUNTING	FINISH	OPTIONS
VR 65	L - 6W/ft	RL - Round Lens	27 - 2700k	STD - 0-10V dim	2- 2'	SM - Surface mount	B- Apogee Black	EM - Hybrid 600VD-C/120-277VAC EM system
	S - 8.4W/ft	FL - Flat Lens	30 - 3000k	DA - DALI	3-3'	W- Wall mount	AS - Apogee Silver	*DM - Dali EM Monitoring System
	H - 12W/ft		35 - 3500k		4-4'	CA - Adjustable Corner mount	GM - Gunmetal	BO - Black oxide Hardware
	U - 16W/ft		40 - 4000k		5-5'		BS - Black Steel	90 - 90 Minute Bodine Emergency supply
			50 - 5000k		6-6'		PG - Platinum Gray	
					8-8'		RAL - Custom	
					Run		RAL, provide RAL number here	
							NC - Nanocoat	
							MW - Matte White	

Sample Number: VR66-S-FL-40-STD-8-SM-AS-90

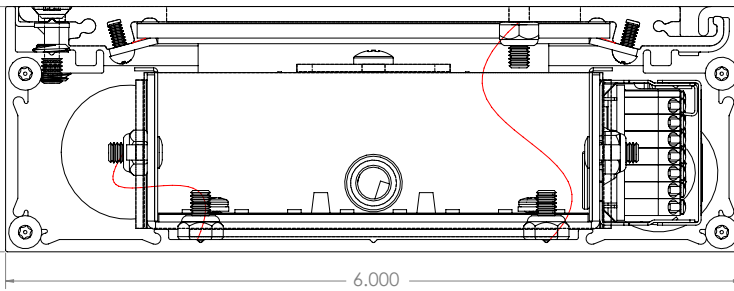
\* 4HR Battery backup requires additional 19" compartment. See drawings for EM Version



**VR 65 Technical Drawings**

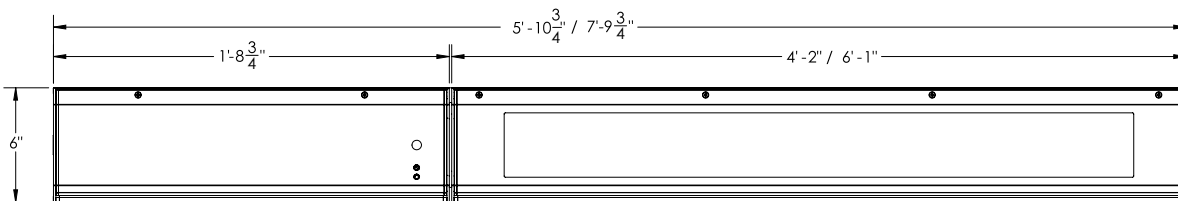
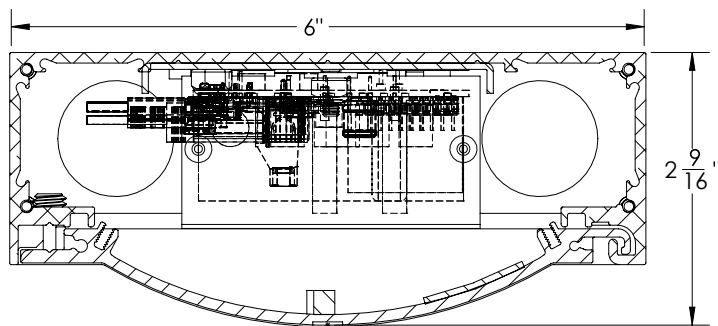


**VR65 ROUND LENS**

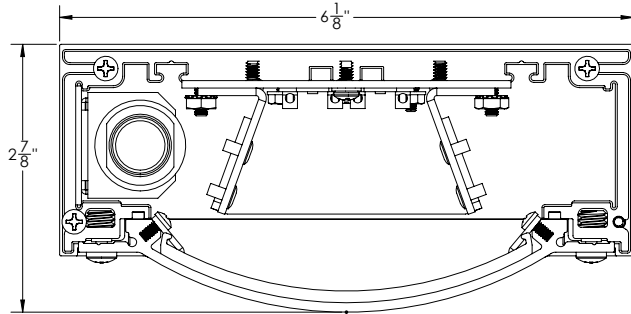


**VR65 FLAT LENS**

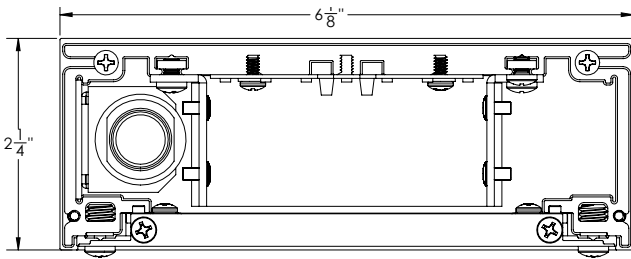
**OPTIONAL SIDECAR EM SECTION**



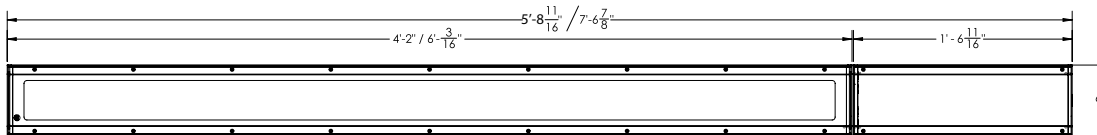
**VR 66 Technical Drawings**



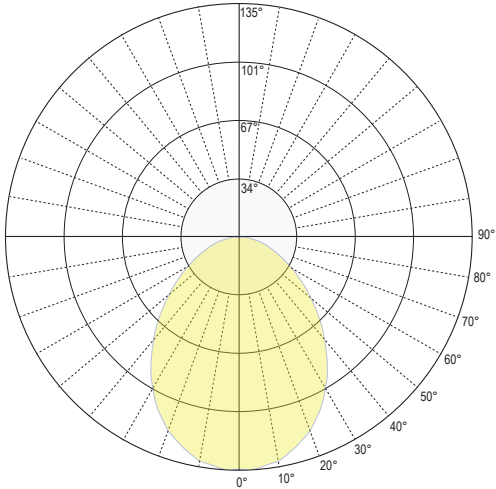
**VR66 ROUND LENS**



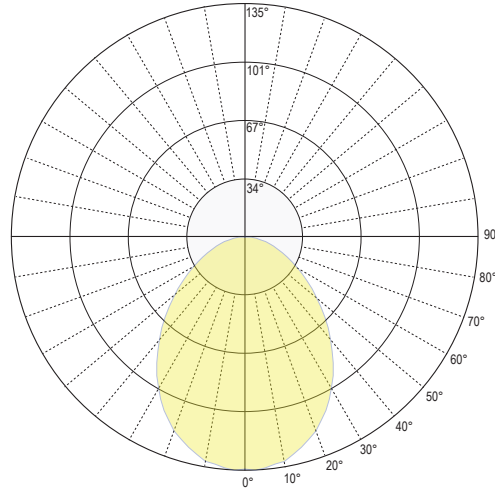
**VR66 FLAT LENS**



**Photometrics**



**VR65**



**VR66**  
**Frosted Polycarbonate Lens**

**Lumen Factor**

LUMEN FACTOR	
CCT	MULTIPLIER
2700K	0.96
3000K	1
3500K	1.03
4000K	1.05
4500K	1.05
5000K	1.05
6500K	1.05

