



IK10 Rated  
Vandal  
Resistant



Highest  
Reliability



Hybrid EM  
Technology



IP Rated



Proprietary  
Optic  
Technology



Redundant  
LED Drivers



Flicker-  
Free

## Features

### MATERIALS

Cast Aluminum or Stainless Steel housing

### OUTPUT

Fully configurable, programmable light engine system with maximum output of 28W and 3567 lumens. System efficacy is 125 lm/w.

### OPTICS

Proprietary polycarbonate optics providing asymmetric beam control, designed to light tunnel egress and catwalks while avoiding blinding passing train operators.

### DRIVER

- **Standard 0-10V:** 120-277VAC, 0-10V Dims to Dark (1%), Class II/B, THD < 10%, PF > 0.95. Programmable in 1mA increments up to 75W.  
- IP67 Rated 0-10V: 90-305VAC, IP67 rated, 0-10V dimming, dims down to 1%, Programmable in 1mA increments up to 75W.
- **DALI:** 120-277VAC, Dims to Dark (1%), Class II/B, THD < 10%, PF > 0.95. Programmable in 1mA

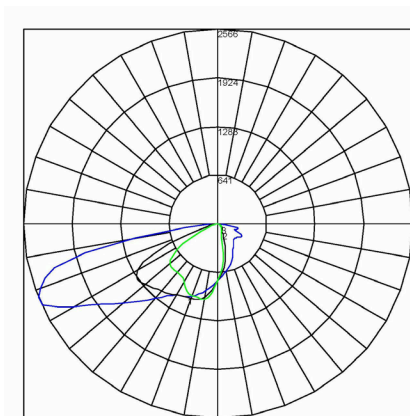
### OPTIONS

- **Integrated Hybrid EM provides:** 200-1200VDC operation indefinitely. Can also deliver 4 hour Battery Backup at selectable outputs to achieve NFPA minimum light levels for path of egress. EM system is mounted in an additional end compartment box that adds 20.75" of additional length. The compartment has its own hinged door with solid extruded door. A Magnetic test switch and local status indicator lights are mounted next to the lens on the fixture face for quick status monitoring. Optional Dali monitoring included with Dali driver option.

### CERTIFICATIONS

UL recognized components IBEW (local 3) Union-Made in the USA IP66 wet location rated exceeds NFPA 130 lighting levels at 40' on center spacing

## Photometrics



## ORDERING INFORMATION Series 70

SERIES	MOUNTING	CCT	HOUSING	FINISH	OPTIONS
70 - Series 70	W - Quick Release wall mount brackets	1 - White	AL - 80CRI	BK - Black	EM - Hybrid Emergency System
		2 - Blue	SS - Stainless Steel	RAL - Custom RAL number	

Sample Number: 70-W-1-SS-BK-EM



**Technical Drawings**

