



Dim to Dark



Per Inch



Custom Transitions



Static White, Dynamic White, RGB+W



Flicker Free



Easy Installation

Features

REMOTE DRIVER

- **Standard 0-10V:** 120-277VAC, 0-10V Dims to Dark (1%), Class II/B, THD < 10%, PF > 0.95. Programmable in 1mA increments up to 75W.
- **Analog Tunable White:** 120-277VAC, Dual 0-10V channels for both intensity and color (CCT) tuning. Class II/B, THD < 10%, PF > 0.95. Programmable in 1mA increments up to 50W.
- **DALI:** 120-277VAC, Dims to Dark (1%), Class II/B, THD < 10%, PF > 0.95. Programmable in 1mA increments up to 50W.
- **DMX:** 120-277VAC, Dims over DMX, Class II/B, THD < 10%, PF > 0.95. Programmable in 1mA increments up to 96W. Minimum DMX resolution is 6". Standard resolution is 4 channels, whole system changes color in unison.

HOUSING

Up to 8' Extruded aluminum housing with aluminum end caps. Available in 1" run length increments for static white and dynamic white, 6" increments in RGBW.

OUTPUT

Standard: 5W/500 lumens per foot
 High Output: 9W/900 lumens per foot
 Low Output: 3W/300 lumens per foot

MOUNTING OPTIONS

- Recessed Sheetrock mount
- Spring Clip surface mount

FINISH

- Satin anodized aluminum finish
- Standard powder coat white, black and Apogee silver
- Other RAL color options available, consult factory

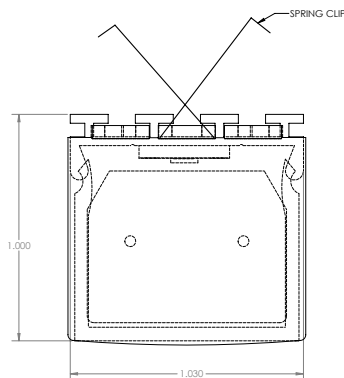
OPTIONS

- Inside 90 degree corner
- Outside 90 degree corner
- Dynamic White: 2700-6500K, available with analog (Dual 0-10V) control or DMX control
- RGBW - DMX control. Standard DMX resolution is 4 channel, whole system changes in unison. Minimum available DMX resolution is 6". Consult factory for details.
- Remote 90 Minute EM with test switch, EM typically lives in remote driver box.
- Emergency circuiting for inverter based installs
- Custom angled transitions available, consult factory

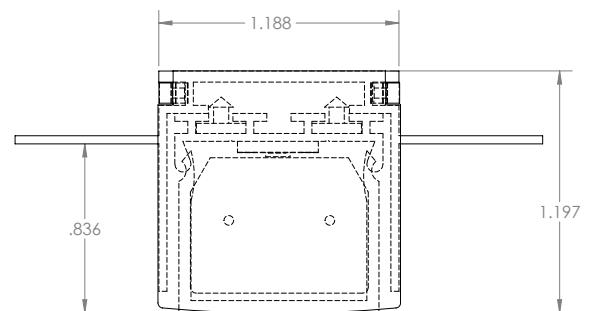
CERTIFICATIONS

IBEW (local 3) Union-Made in the USA

Technical Drawings



Surface Mount with Opal Acrylic Lens

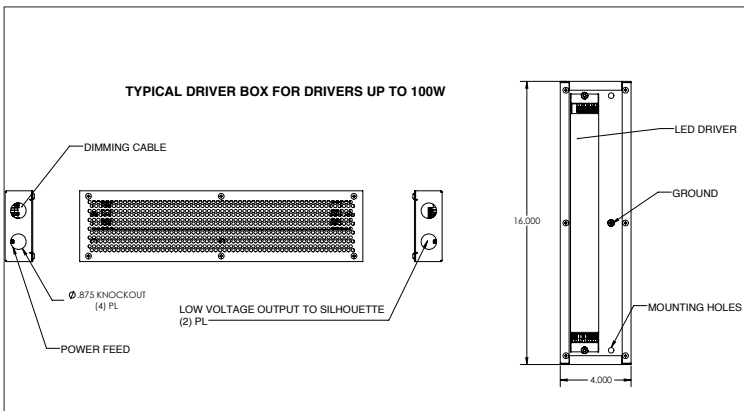
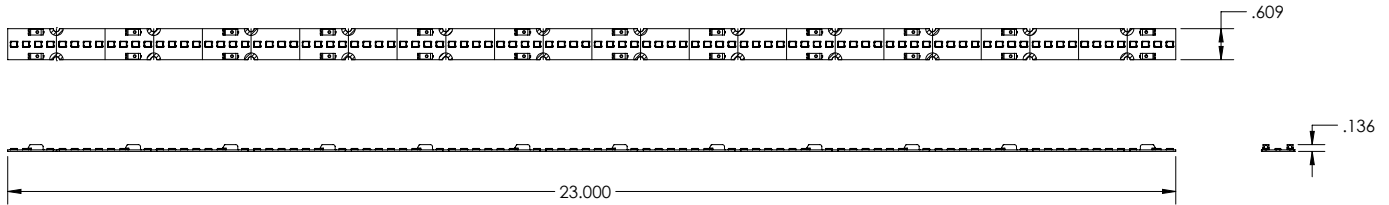


Recessed Gypsum with Opal Acrylic Lens



Technical Drawings

Constant Current Wafer Board



ORDERING INFORMATION FOR SILHOUETTE®

SERIES	COLOR	CHANNEL	LENGTH	OUTPUT	DIMMING & CONTROL	FINISH	OPTIONS
SIL - Silhouette	27 - 2700K	SRR - 1/2" Gypsum	1'-8" length in 1" increments	ST- 5W per foot	STD - Standard 0-10V	AL - Anodized Aluminum	IC-Inside 90 degree corner
	30 - 3000K	SRC - 5/8" Gypsum		HO- 9W per foot	DA - Dali Dimming	W - Matte White	OC-Outside 90 degree corner
	35 - 3500K	SMS- Spring Mount		LO - 3W per foot	AD- Dual 0-10V CCT tuning & dimming	B - Matte Black	DW-Dynamic White: 2700-6500K,
	40 - 4000K			C - Custom output up to 9W per foot	DMX - DMX CCT tuning and dimming	CS - RAL Paint Match	RGBW-RGBW
	Dynamic white						EM-Remote 90 Minute emergency backup
	RGBW						EC -Emergency circuiting
							CT- Custom angled transitions

Sample Number: SIL-35-SRC-8-DA-STD-AL-56

* RGBW system has standard 4000K CCT for white channel. Consult factory for other CCT options

