



Dim To Dark



10 year LED warranty



Static White, Dynamic White, RGB+W



Flicker Free



Custom Transitions



Acoustic Dampening



Patented Ceiling Grid Mounting System

Features

STANDARD PIXEL PANELS

- **PXL:** Static white LED fingerboard system delivering 168LM/W @ 3000K.
- **PXL-RGBW:** Red, Green, Blue & White LED fingerboard system. DMX controlled.
- **PXL-DW:** Dynamic White (2700-6500K) LED fingerboard system. Controlled via DMX or Analog tunable via dual 0-10V channel driver. 168LM/W @ 2700K with constant light output control at each CCTs.

PANEL SIZES

- 1x1, 1x2 & 2x2 panels are standard.
- Consult factory for custom sizes.

FINISH

- 96% reflective white powder coat finish.
- RGBW has matte black powder coat finish for enhanced color rendering.

OPTIONS

- **Remote Driver Box** - Vented, Pre-wired, labeled and terminated with quick disconnects on AC & DC side. NEMA 4X box for wet location installations available upon request.
- **Spider Connections:** Pre-terminated quick connect linking cords for creating parallel connection between multiple panels and driver.
- **Emergency Circuiting:** Circuiting for inverter or generator system (by others) available.
- **Emergency Battery:** Philips Bodine 90min backup available.
- **Redundant Driver:** Patented relay switchable dual driver system for difficult to reach driver box locations. Remote notifications available with DALI.

PIXEL PANELS WITH INTEGRAL ACOUSTIC DAMPENING:

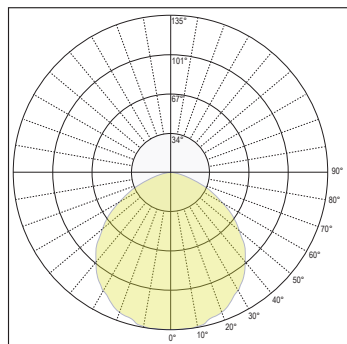
- **PXL-A:** Static white LED fingerboard system delivering 168LM/W @ 3000K. Includes acoustic dampening achieving 0.95NRC.
- **PXL-DW-A:** Dynamic White (2700-6500K) LED fingerboard system. Controlled via DMX or Analog tunable via dual 0-10V channel driver. Includes acoustic dampening achieving 0.95NRC. 168LM/W @ 3000K.
- **PXL-RGBW-A:** Red, Green, Blue & White LED fingerboard system. DMX controlled. Includes acoustic dampening achieving 0.95NRC over 0-10V wires.

(General note: Pixel is a backlit panel solution, meaning Apogee provides the Backlighting solution only, with no diffuser integration. For Integrated diffuser options including field stretch illuminated ceilings, please see our Lightscape, Lightscape Linear, and Lightscape FS system options.)

REMOTE DRIVER SYSTEM

- **Standard 0-10V:** 120-277VAC, 0-10V Dims to Dark (1%), Class II/B, THD < 10%, PF > 0.95. Programmable in 1mA increments up to 96W.
- **Analog Tunable White:** 120-277VAC, Dual 0-10V channels for both intensity and color (CCT) tuning. Class II/B, THD < 10%, PF > 0.95. Programmable in 1mA increments up to 50W.
- **DALI:** 120-277VAC, Dims to Dark (1%), Class II/B, THD < 10%, PF > 0.95. Programmable in 1mA increments up to 96W.
- **DMX:** 120-277VAC, Dims over DMX, Class II/B, THD < 10%, PF > 0.95. Programmable in 25mA increments up to 96W. Up to 4 Channel DMX.

Photometrics



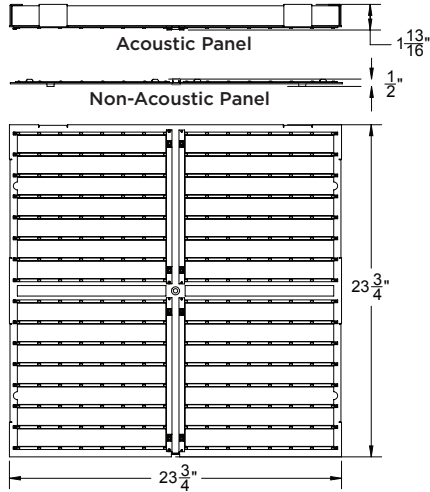
CERTIFICATIONS

- IBEW (local 3) Union-Made in the USA
- 120,000 Hour rated life expectancy based on LM80 data collection and TM21 calculations.
- Class A fire rating
- 5 year warranty

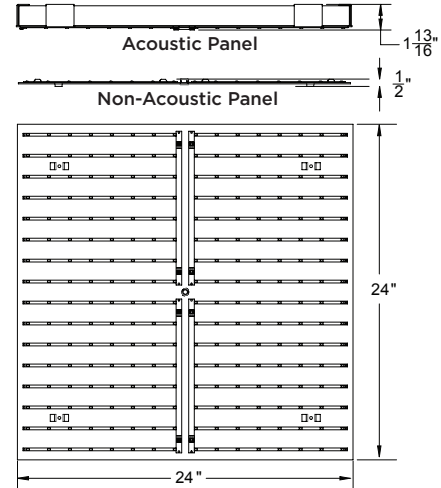


Technical Drawings

T-GRID MOUNT PANEL



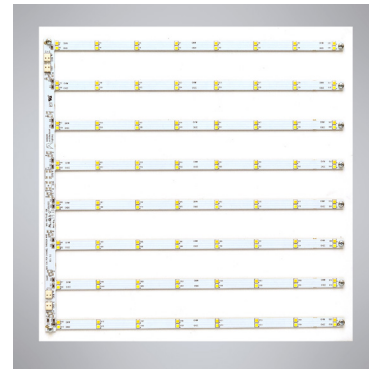
SURFACE MOUNT PANEL



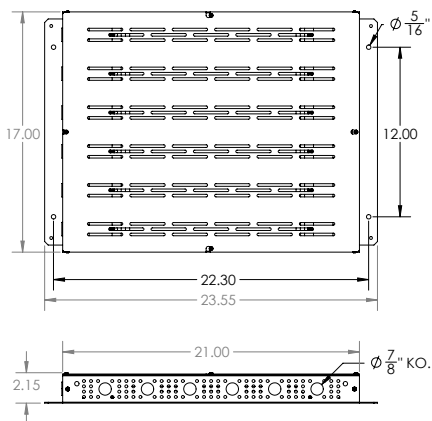
ACOUSTIC PANEL



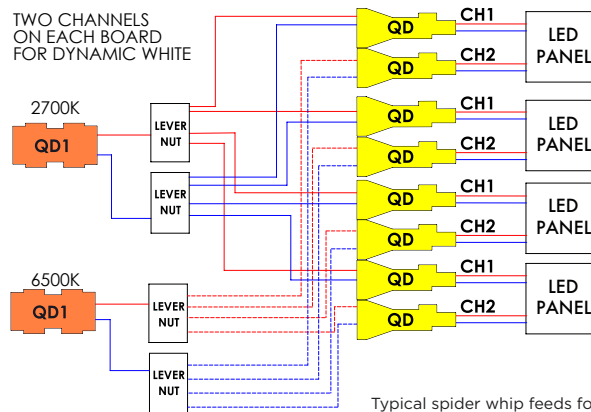
NON-ACOUSTIC PANEL



TYPICAL DRIVER BOX (6 DRIVERS PER BOX)
(for other configurations consult factory)



SPIDER CONNECTION WIRING HARNESS FOR DYNAMIC WHITE
(for other configurations consult factory)



Typical spider whip feeds four 2x2 Led panels with maximum 4.2W/SF. For other configurations consult factory



Sound Absorption Performance Testing

Class A Fire Rated

Tested Panel Sizes: 2'x2'x1.5" & 2'x4'x1.5"

Sound Absorption Performance: ASTM C423-17 Type A mounting (Intertek Report: 103420925CRT-001)

125HZ	250HZ	500HZ	1KHZ	2KHZ	4KHZ	NRC	SAA
0.42	0.54	1.29	0.99	0.93	0.90	0.95	0.92

The Noise Reduction Coefficient (NRC) is a single number rating obtained by taking the arithmetic average of the absorption coefficients at 250, 500, 1000, and 2000 Hz rounded to the nearest multiple of 0.05.

The Sound Absorption Average (SAA) is a single number rating obtained by taking the arithmetic average of the one-third octave bands from 200 through 2500 Hz rounded to the nearest 0.01.

Typical sound absorption values of materials range from 0.00 (nearly perfectly reflective) for materials like concrete to 1.00 (nearly perfectly absorptive) for thick installations of fibrous insulation.

Performance

3000K LUMEN DATA*		
System Watts/Ft2	Delivered Lumens/Ft2	
	MINIMUM 80 CRI	MINIMUM 90CRI
4	616	511
5	770	635
6	924	762
10	1540	1278

LUMEN FACTOR	
CCT	MULTIPLIER
2700K	0.96
3000K	1
3500K	1.03
4000K	1.05
4500K	1.05
5000K	1.05
6500K	1.05

*Lumen Data is based on mean Lm/W across all options at 3000K. Final delivered lumens through the selected diffusing material depend on material type, number of layers and transmissivity.



ORDERING INFORMATION STANDARD SERIES

SERIES	SIZE	COLOR	DRIVER	OUTPUT	MOUNTING	OPTIONS
PXL - Standard Static White	1x1	27 - 2700K	S - Standard 0-10V	2 - 2W/SF	S - Surface	DB - Driver Box
PXL-RGBW - RGBW	2x2	35 - 3500K	DA - DALI	5 - 5W/SF		EMC - Emergency Circuiting
PXL-DW - Dynamic White	C - Custom	40 - 4000K	DMX - DMX	6 - 6W/SF		EM - Emergency Battery
		50 - 5000K	IP-DMX - IP Rated DMX	10 - 10W/SF		RD - Redundant Drivers
		DW - Dynamic White (2700-6500K)		C - Custom*		
		RGBW - RGBW		*Consult Factory		

SAMPLE NUMBER: PXL-2X2-30-S-5-S-DB

Project Name: _____

ORDERING INFORMATION ACOUSTIC DAMPENING SERIES

SERIES	SIZE	COLOR	DRIVER	OUTPUT	MOUNTING	OPTIONS
PXL-A - Standard Acoustic	1x1	27 - 2700K	S - Standard 0-10V	2 - 2W/SF	S - Surface	DB - Driver Box
PXL-DW-A - Dynamic White Acoustic	1x2	30 - 3000K	AT - Analog Tuning	4 - 4W/SF	TG - T-Grid	SC - Spider Connections
PXL-RGBW-A - RGBW Acoustic	2x2	35 - 3500K	DA - DALI	5 - 5W/SF		EMC - Emergency Circuiting
	C - Custom	40 - 4000K	DMX - DMX	6 - 6W/SF		EM - Emergency Battery
		50 - 5000K	IP-DMX - IP Rated DMX	10 - 10W/SF		RD - Redundant Drivers
		DW - Dynamic White (2700-6500K)		C - Custom*		
		RGBW - RGBW		*Consult Factory		

SAMPLE NUMBER: PXL-DW-A-1X2-40-DA-6-TG-EMC

Project Name: _____

