



IK10 Rated
Vandal
Resistant



Highest
Reliability



Hybrid EM
Technology



IP Rated



10 Year
Warranty



Glare
Free



Mounting
Options

Features

OUTPUT

Fully configurable, programmable light engine system with maximum output of 16W per foot and 1600 lumens per foot. Standard output is 8.4W per foot / 840 lumens per foot. See lumen factor chart for more information.

POWER SUPPLY

- Standard 0-10V: 120-277VAC, 0-10V Dims to Dark (1%), Class II/B, THD < 10%, PF > 0.95.

OTHER FEATURES

- All gaskets are continuous die cut silicone.
- All lenses are low smoke, F1 (UV protected outdoor) rated polycarbonate.

SOURCE

Custom sorted and binned, high efficiency LED engines with minimum 2.5 SCDM color consistency. LED lifetime exceeds 50k hours at all outputs at ambient temperatures up to 125F.

MOUNTING

- Yoke / pendant mount
- Surface mount slotted feet
- Wall mount stairwell brackets
- Corner mount adjustable brackets

HOUSING

- Rugged, 3 mil Post powder coat extruded aluminum housings, minimum wall thickness of .125". Rated to IK10 vandal rating. All hardware is tamper-proof
- **VR65 HOUSING**
VR65 is rated to IP65 and has a hinged door for easy maintenance access.

FINISH

Standard colors are:

- Apogee Matte Black
- Apogee Silver
- Gunmetal
- Platinum Gray
- Custom RAL options available, consult factory - Optional Nano Dust and Moisture Resistant Hydrophobic coating available for all colors.

OPTIONS

Sidecar mounted Hybrid EM: provides 200-1200VDC operation indefinitely at full lumen output in fixtures up to 6' length at standard output or 4 hour Battery Back-up-at selectable output to achieve NFPA minimum light levels for path of egress. Magnetic test switch and local status indicator lights mounted next to the lens on the fixture face for quick status monitoring. Consult factory for compatible control system options.

LENS

VR65 has round and flat lens options.

CERTIFICATIONS

UL Listed/cUL Listed, IBEW (local 3) Union-Made in the USA. Up to IP65 Rating. IK10 Rated. Salt spray environment approved. Blowing rain tested and approved. Fine metal dust tested and approved (Train brake dust simulation). Blast test rated for tunnel usage. Vibration tested to 2G sinusoidal motion. EMI tested for conducted and radiated emissions, proven not to interfere with emergency broadcast systems. Certifications available upon request.

APOGEE LIGHTING



ORDERING INFORMATION SERIES VR 65

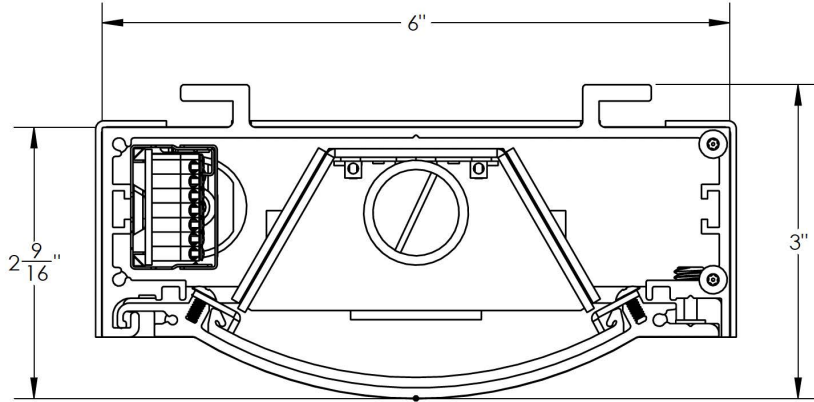
SERIES	OUTPUT	LENS	COLOR	CONTROLS	LENGTH	MOUNTING	FINISH	OPTIONS
VR 65	L - 6W/ft	RL - Round Lens	27 - 2700k	STD - 0-10V dim	2- 2'	SM - Surface mount	B- Apogee Black	EM - Hybrid 600VD-C/120-277VAC EM system
	S - 8.4W/ft	FL - Flat Lens	30 - 3000k	DA - DALI	3-3'	P- pendant mount	AS - Apogee Silver	BO - Black oxide Hardware
	H - 12W/ft		35 - 3500k		4-4'	W- Wall mount	GM - Gunmetal	90 - 90 Minute Bodine Emergency supply
	U - 16W/ft		40 - 4000k		5-5'	CA - Adjustable Corner mount	PG - Platinum Gray	
					6-6'		RAL - Custom	
					Run		RAL, provide RAL number here	
							MW - Matte White	

Sample Number: VR65-L-RL-40-DA-6-SM-BS-BO

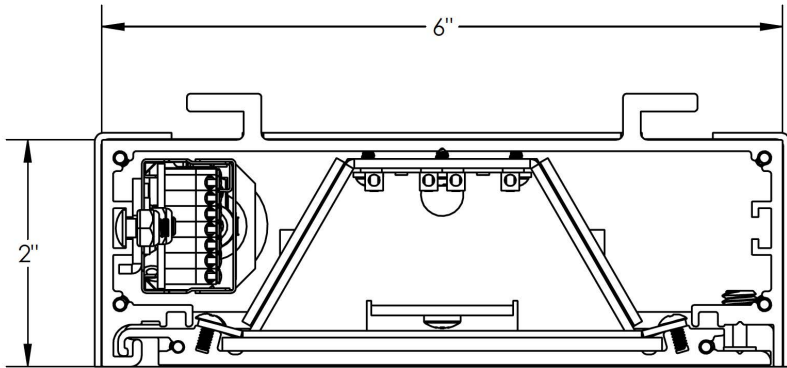
* 4HR Battery backup requires additional 24" compartment. See drawings for EM Version



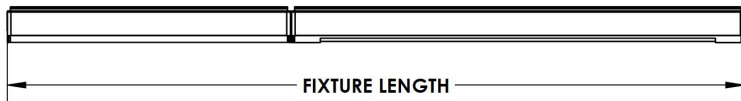
VR 65 Technical Drawings



VR65 ROUND LENS



VR65 FLAT LENS

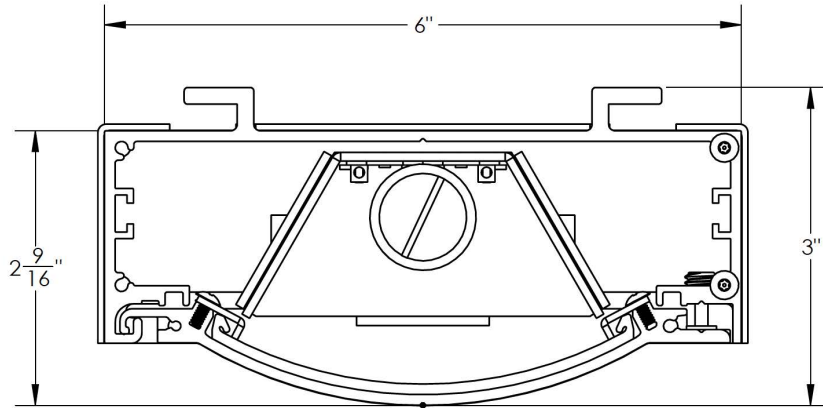


NOMINAL	LENGTH (IN)
2'	26.875"
3'	38.375"
4'	49.875"
5'	61.375"
6'	72.875"

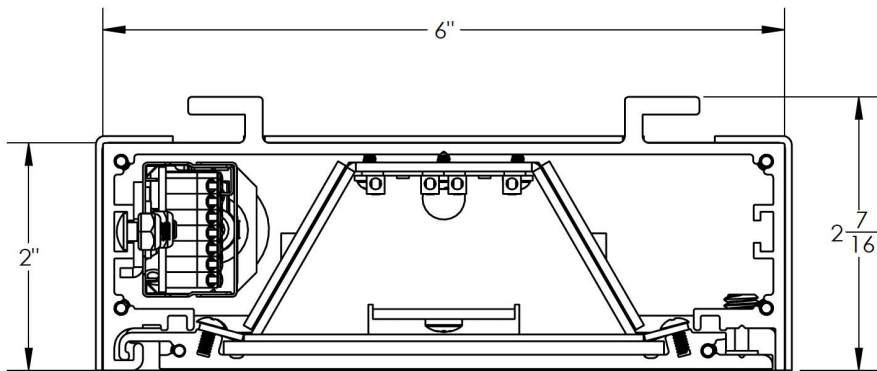
NOMINAL	LENGTH (IN)
2' EM	53.875"
3' EM	65.375"
4' EM	76.875"



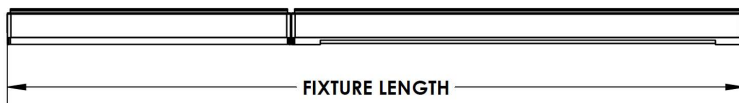
VR 65 Technical Drawings



VR65 ROUND HYBRID LENS



VR65 FLAT HYBRID LENS



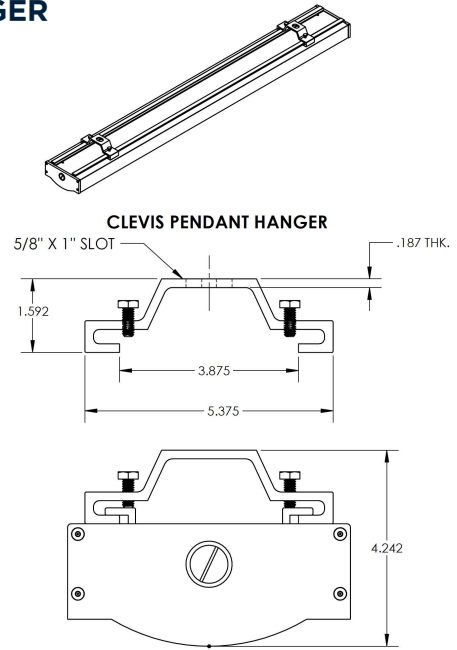
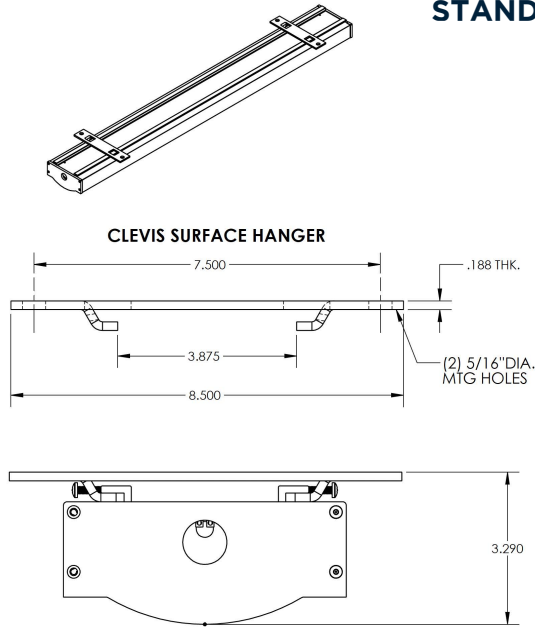
NOMINAL	LENGTH (IN)
2'	26.875"
3'	38.375"
4'	49.875"
5'	61.375"
6'	72.875"

NOMINAL	LENGTH (IN)
2' EM	53.875"
3' EM	65.375"
4' EM	76.875"

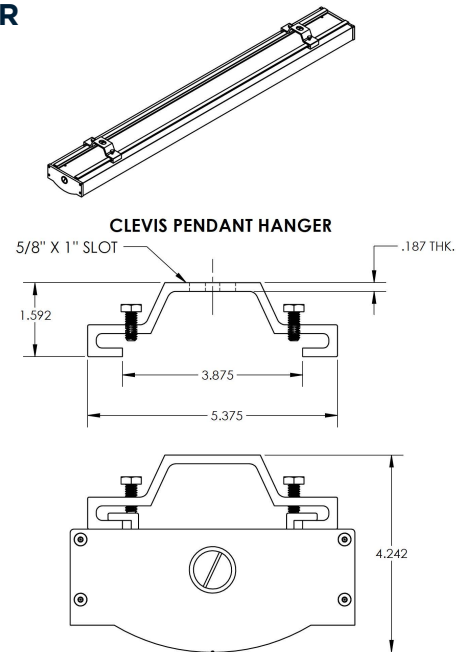
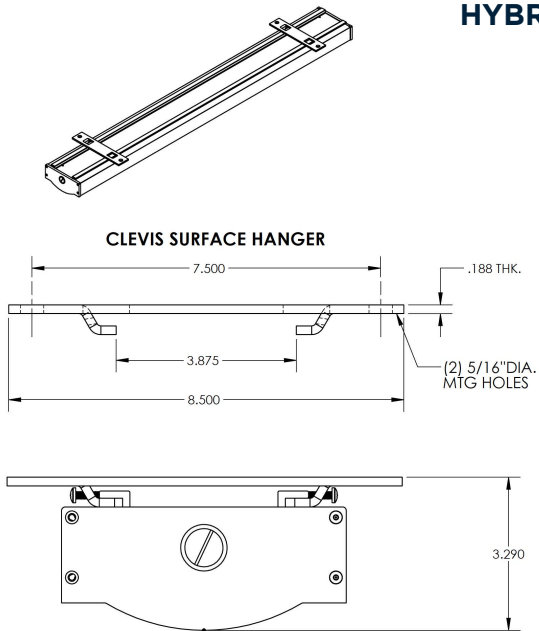


VR 65 Technical Drawings

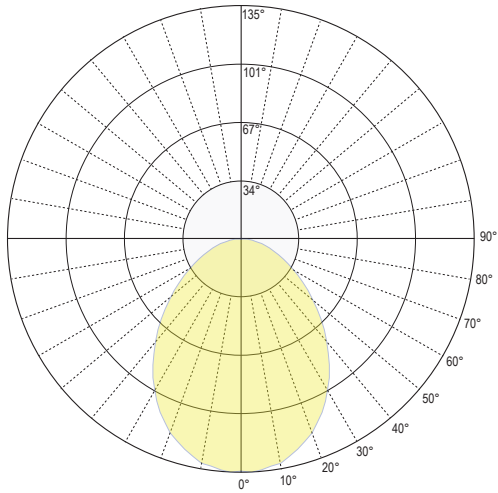
STANDARD CLEVIS HANGER



HYBRID CLEVIS HANGER



Photometrics



VR65

Lumen Factor

LUMEN FACTOR	
CCT	MULTIPLIER
2700K	0.96
3000K	1
3500K	1.03
4000K	1.05

