



IK10 Rated
Vandal
Resistant



Highest
Reliability



Hybrid EM
Technology



IP Rated



10 Year
Warranty



Glare
Free



Mounting
Options

Features

OUTPUT

Fully configurable, programmable light engine system with maximum output of 15W per foot and 1500 lumens per foot. Standard output is 8.4W per foot / 840 lumens per foot.

SOURCE

Custom sorted and binned, high efficiency LED engines with minimum 2.5 SCDM color consistency. LED lifetime exceeds 50k hours at all outputs at ambient temperatures up to 125F.

CONNECTOR

Apogee NERS (No Effort Replacement System) Made for maintenance teams. Singular Line side ballast style disconnect with all electrical components bolted to the hinged door. Zero maintenance system with industry leading door exchange program. No field down time and no maintenance hours.

MOUNTING

- Pendant mount
- Clevis surface mount
- Wall mount
- Custom mounting options available, consult factory.

OPTIONS

- Integrated Hybrid EM provides: 200-1200VDC operation indefinitely at full lumen output in fixtures up to 6' length at standard output. **-or-**
- 4 hour Battery Backup-at selectable output to achieve NFPA minimum light levels for path of egress.
- EM system mounted to the door and is including in the NERS program. Magnetic test switch and local status indicator lights mounted next to the lens on the fixture face for quick status monitoring.
- Optional Dali monitoring included with Dali driver option. Consult factory for compatible control system options.
- Optional IP66 rated version available for wash down applications - consult factory for details.

DRIVER

- Standard 0-10V: 120-277VAC, 0-10V Dims to Dark (1%), Class II/B, THD < 10%, PF > 0.95. Programmable in 1mA increments up to 96W.
- IP67 Rated 0-10V: 90-305VAC, IP67 rated, 0-10V dimming, dims down to 1%, Programmable in 1mA increments up to 96W.
- DALI: 120-277VAC, Dims to Dark (1%), Class II/B, THD < 10%, PF > 0.95. Programmable in 1mA increments up to 96W.

HOUSING

Rugged, 3 mil Post powder coat extruded aluminum housings, minimum wall thickness of .125". Rated to IK10 vandal rating. All Rated IP65 and optional IP66. All hardware is stainless steel. All gaskets are continuous die cut silicone. All lenses are low smoke, F1 (UV protected outdoor) rated polycarbonate

FINISH

- Standard colors are:
 - Apogee Matte Black
 - Apogee Silver
 - Gunmetal
 - Platinum Gray
- Custom RAL options available, consult factory
- Optional NanDust and Moisture Resistant Nanocoating

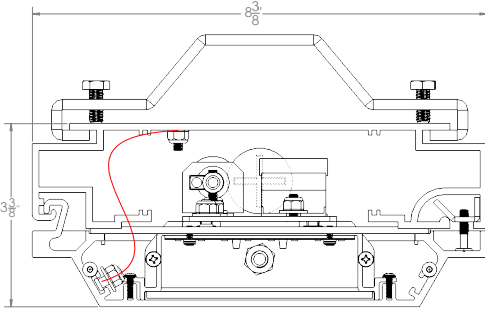
CERTIFICATIONS

- UL Listed,
- IBEW (local 3) Union-Made in the USA.
- IP65 Rated.
- IK10 Rated.
- Certifications available upon request.

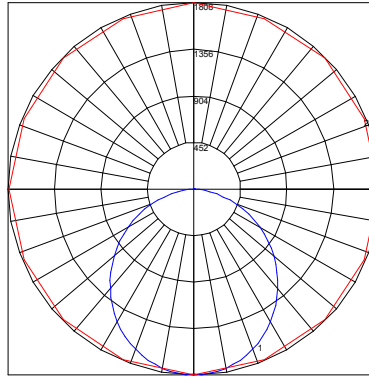
APOGEE LIGHTING



Technical Drawings



Photometrics



Maximum Candela = 1808.1 Located At Horizontal Angle = 90, Vertical Angle = 2.5
 # 1 - Vertical Plane Through Horizontal Angles (90 - 270) (Through Max. Cd.)
 # 2 - Horizontal Cone Through Vertical Angle (2.5) (Through Max. Cd.)

Lumen Factor

LUMEN FACTOR	
CCT	MULTIPLIER
2700K	0.96
3000K	1
3500K	1.03
4000K	1.05
4500K	1.05
5000K	1.05
6500K	1.05

ORDERING INFORMATION FOR 98JD

SERIES	LENGTH	CCT	MOUNTING	DRIVER	OPTIONS	DIMMING	COLOR
98JD	2 - 2'	27 - 2700K	P - Pendant	S - Standard	90EM - 90 min battery	STD - Standard 0-10V	AMB - Apogee Matte Black
	3 - 3'	30 - 3000K	CS - Clevis Surface	IP67 - IP67 Rated Driver	240EM - 4 hr. battery	DA - DALI Dimmer	AS - Apogee Silver
	4 - 4'	35 - 3500K	W - Wall	D - Dali	STD - Standard		G - Gun Metal
	5 - 5'	40 - 4000K	CM - Custom (Consilt factory)				PG - Platinum Gray
	6 - 6'	50 - 5000K					CR - Custom RAL Available. Consult Factory
	8 - 8'						ND - Optional NanDust and Moisture Resistant Nanocoating. Consult Factory
	RUN - specify						

Sample Number: 98JD-6-27-P-S-STD-DA-AS

