



Dim To Dark



IP Rated



Flicker Free



Static White, Dynamic White, RGB+W



Easy Installation



Aluminum Profiles

## Features

### OUTPUT

- 48V Static White Standard: 3.3W per foot, 225lm/ft
- Supplied on 16' rolls that can be linked up to 96' for top and side bending and 80' max for the mini version.
- 24V Static colors, Dynamic White and RGBW have max runs of 16'.
- All DMX tunable 24V Lumen Output varies by control scheme, consult factory for more information.

### HOUSING

- Extruded polymer jacket with phosphor infused top coat. Flexible for radius and corner bending. See instructions for proper bending specs.
- 6" minimum bend radius.

### CONNECTOR

- IP68 rated barrel connectors for outdoor versions.
- Quick connect mating connector for indoor versions.

### REMOTE DRIVER SYSTEM

- **48V Static White Standard:** Constant Current Driver: 0-10 dimmable, 120-277V, 50/60Hz, Power Factor 98%, THD ≤ 20%.
- **24V Static Color Standard:** Constant Voltage Driver, 24V, 0-10V dimmable, 120-277V, 50/60Hz, Power Factor 98%, THD ≤ 20%.
- **24V DMX tunable driver for RGBW & Dynamic White:** 120-277V, 50/60Hz, Power Factor 98%, THD ≤ 20%. Includes multi-channel DMX decoders as needed.

### OPTIONS

- Turtle Safe Amber (590nm) or Red/Orange (618nm)
- RGB control via DMX
- Static primary colors for ambient lighting
- 80CRI Standard / 90CRI optional
- Dynamic White

### MOUNTING OPTIONS

- Surface
- Recessed (with flange)
- Recessed Mud-In Flange
- Reverse Cove
- Aluminum Clips

### FIELD CUTTABLE

Every 4" where indicated on the back and drivers are in constant voltage mode. If product is running in constant current mode and cut smaller than specified current the product will flash on and off in protection mode.

### SOURCE

2-Step Macadam Ellipse Color Binning for even, consistent runs.

### OPTICS

Proprietary manufacturing process allows 100% diffusion at less than 1 inch height.

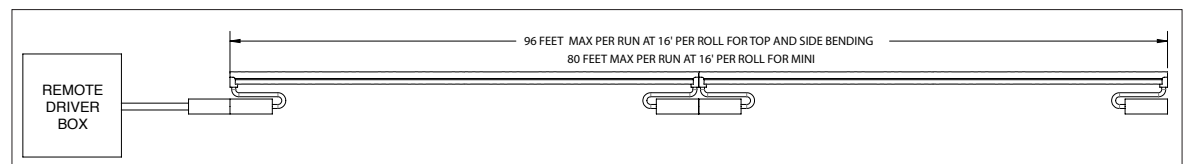
### CERTIFICATIONS

UL Listed, IP68 Rated for outdoor,

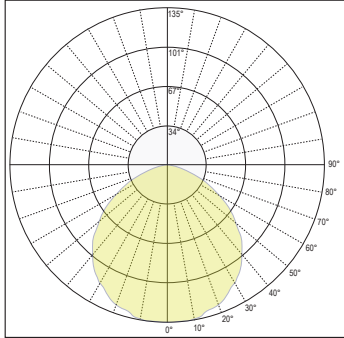
APOGEE LIGHTING



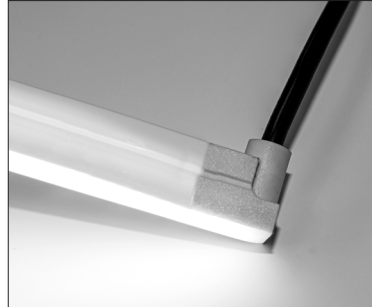
## Typical PureFlex Run



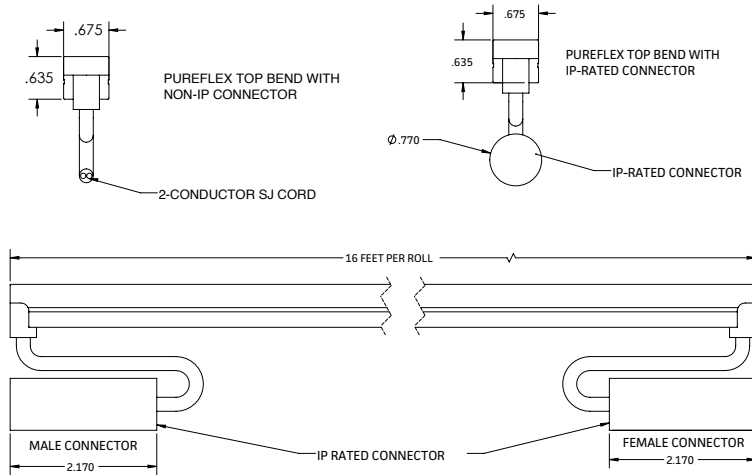
**Photometrics**



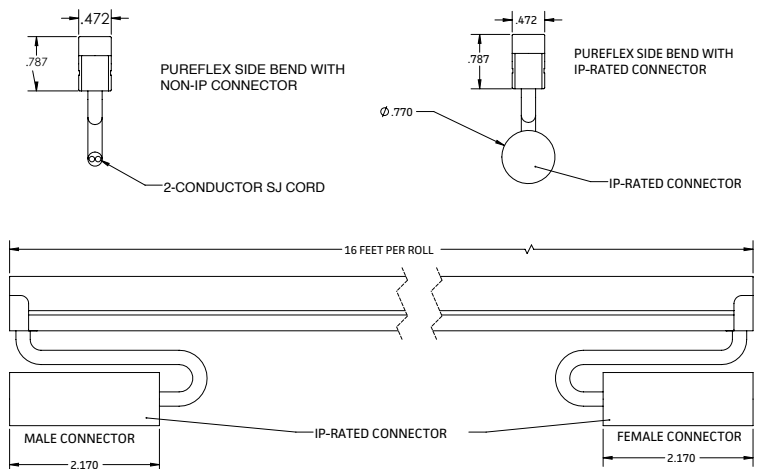
**Pureflex Back Feed Connector**



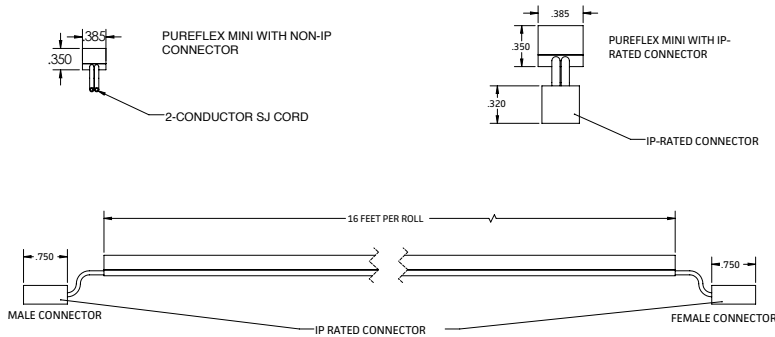
**Pureflex Top Bend Drawings**



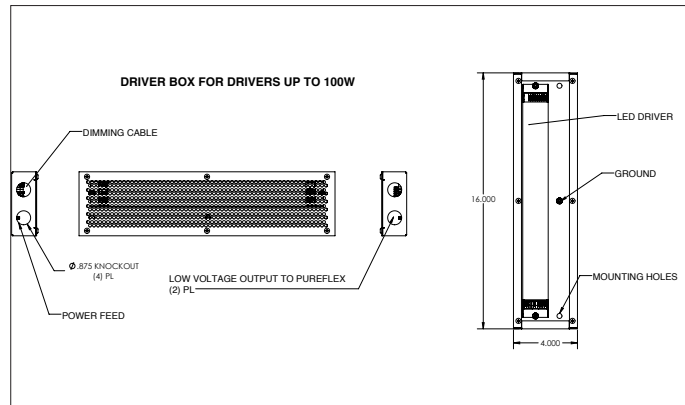
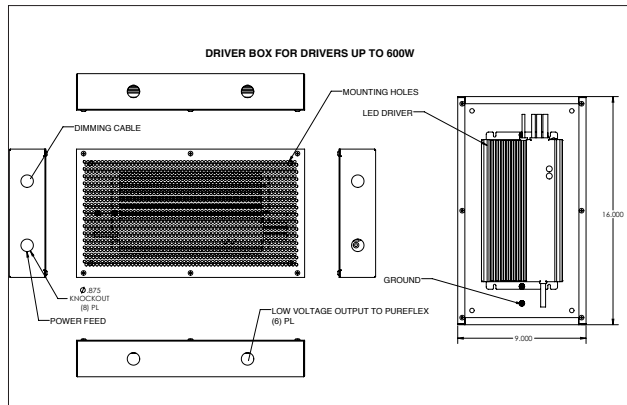
**Pureflex Side Bend Drawings**



### Pureflex Mini Drawings

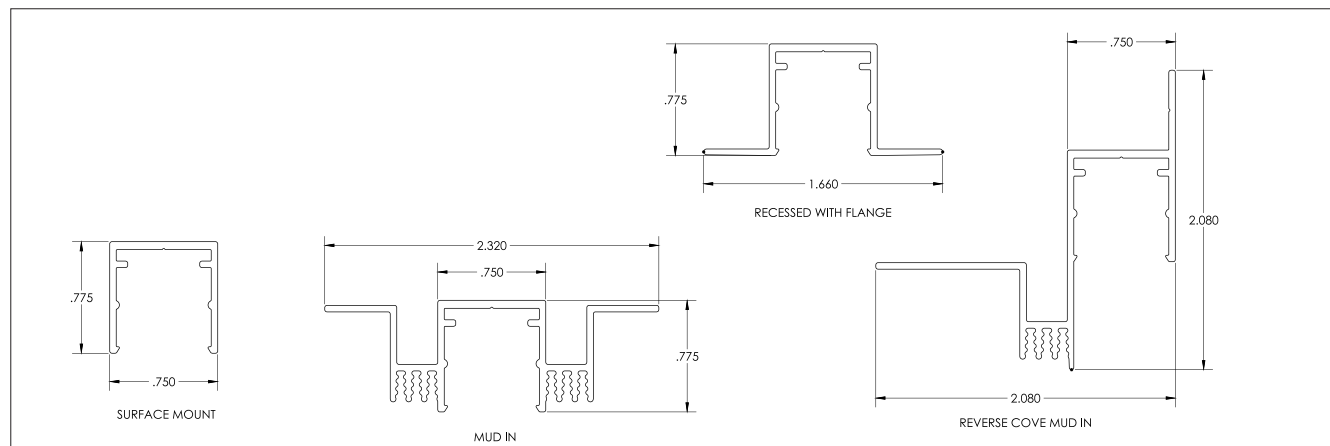


### Pureflex Driver Boxes

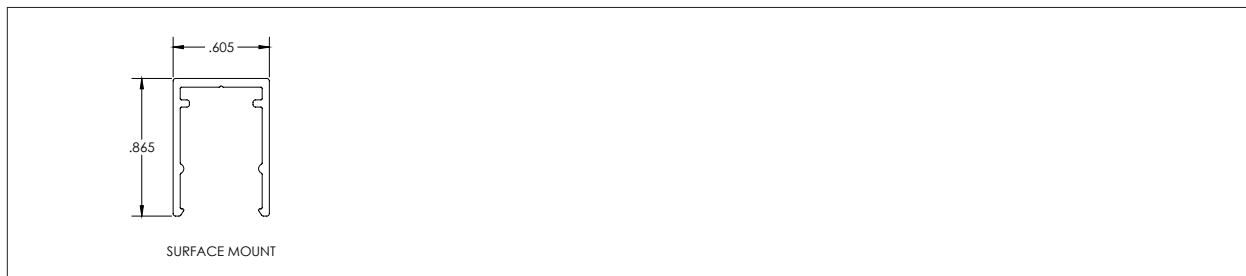


## PUREFLEX EXTRUSION PROFILES

### Pureflex Top Bend



### Pureflex Side Bend



### Pureflex Mini



### ORDERING INFORMATION FOR PUREFLEX®

SERIES	SIZE	BEND	CRI	COLOR	LENGTH	DIMMING & CONTROL	MOUNTING	OPTIONS
PF - PureFlex	S - Standard	T - Top*	8 - 80CRI	27 - 2700K	16 - 16'	S48 - 0-10V	S - Surface	WET - IP68 Connector
	M - Mini	S - Side*	9 - 90CRI	30 - 3000K	S Run - up to 96'		R - Recessed (with flange)	Dry - Wire Leads
		M - Mini (Top Bend only)		35 - 3500K	M Run - up to 80'		M - Recessed Mud-In Flange	
				40 - 4000K			RC - Reverse Cove	
				50 - 5000K			MC - Mounting Clip	

Sample Number: PF-S-T-8-40-36-S48-R-WET

### ORDERING INFORMATION FOR PUREFLEX® 24V

SERIES	SIZE	BEND	COLOR	LENGTH	DIMMING & CONTROL	MOUNTING	OPTIONS
PF24 - 24V Pure Flex	S - Standard	T - Top*	DW - Dynamic White	16 - 16'	S24 - 0-10V	S - Surface	WET - IP68 Connector
		S - Side*	RGBW - RGBW			**DMX - DM	R - Recessed (with flange)
			TSA - turtle safe amber		**DALI - DA	M - Recessed Mud-In Flange	
			TSRO - turtle safe red/orange			RC - Reverse Cove	
			R - Static Red			AC - Aluminum Clip	
		G - Static Green					

Sample Number: PF-S-T-8-40-36-S48-R-WET

\*Available in standard only

\*\*Apogee reserves the rights to select the best driver for the application. Consult factory prior to order

