



IK10 Rated
Vandal
Resistant



Highest
Reliability



Hybrid EM
Technology



IP Rated



10 Year
Warranty



Glare
Free



Mounting
Options

Features

OUTPUT

- **Downlight:** Fully configurable, programmable light engine system with maximum output of 15W per foot and 1500 lumens per foot. Standard output is 8.4W per foot / 840 lumens per foot.
- **Uplight:** Fully configurable, programmable light engine system with maximum output of 6W per foot and 600 lumens per foot. Standard output is 4W pwe foot / 400 lumens per foot.
- All outputs based on 3000k / Minimum 85 CRI See Lumen Factor chart below for more factoring.

SOURCE

Custom sorted and binned, high efficiency LED engines with minimum 2.5 SCDM color consistency. LED lifetime exceeds 50k hours at all outputs at ambient temperatures up to 125F.

CONNECTOR

Apogee NERS (No Effort Replacement System) Made for maintenance teams. Singular Line side ballast style disconnect with all electrical components bolted to the hinged door. Zero maintenance system with industry leading door exchange program. No field down time and no maintenance hours.

MOUNTING

- Pendant mount
- Clevis surface mount
- Wall mount
- Articulating bracket mount (Exit signs)
- Custom mounting options available, consult factory

DRIVER

- Standard 0-10V: 120-277VAC, 0-10V Dims to Dark (1%), Class II/B, THD < 10%, PF > 0.95. Programmable in 1mA increments up to 96W.
- IP67 Rated 0-10V: 90-305VAC, IP67 rated, 0-10V dimming, dims down to 1%, Programmable in 1mA increments up to 96W.
- DALI: 120-277VAC, Dims to Dark (1%), Class II/B, THD < 10%, PF > 0.95. Programmable in 1mA increments up to 96W.

FINISH

- Standard colors are:
- Apogee Matte Black
- Apogee Silver
- Gunmetal
- Platinum Gray
- Custom RAL options available, consult factory
- Optional NanDust and Moisture Resistant Nanocoating

HOUSING

- Rugged, 3 mil Post powder coat extruded aluminum housings, minimum wall thickness of .125". Wireway system with internal wire management doors that twist lock with single flat head screwdriver. Exterior cosmetic bombay doors for the extended wireway system. All systems rated to IK10 vandal rating.
- All systems rated minimum of IP65.
- All hardware is stainless steel.
- All gaskets are continuous die cut silicone.
- All lenses are low smoke, F1 (UV protected outdoor) rated polycarbonate.
- Custom Transitions available to meet existing field conditions - Consult factory for more information.

OPTIONS

Integrated Hybrid EM provides:

- 200-1200VDC operation indefinitely at full lumen output in fixtures up to 6' length at standard output. **or** 4 hour Battery Backup-at selectable output to achieve NFPA minimum light levels for path of egress. EM system mounted to the door and is including in the NERS program.
- Magnetic test switch and local status indicator lights mounted next to the lens on the fixture face for quick status monitoring.
- Optional Dali monitoring included with Dali driver option. Consult factory for compatible control system options.
- Optional IP66 rated version available for wash down applications - consult factory for details.

Design Build Options - Consult Factory for more information:

- Integral PA System
- Integral CCTV
- Integral Fire Strobes

CERTIFICATIONS

UL Listed, IBEW (local 3) Union-Made in the USA. IP65 Rated. IK10 Rated. Salt spray environment approved. Blowing rain tested and approved. Fine metal dust tested and approved (Train brake dust simulation). Blast test rated for tunnel usage. Vibration tested to 2G sinusoidal motion. EMI tested for conducted and radiated emissions, proven not to interfere with emergency broadcast systems. Certificatons available upon request.

WARRANTY

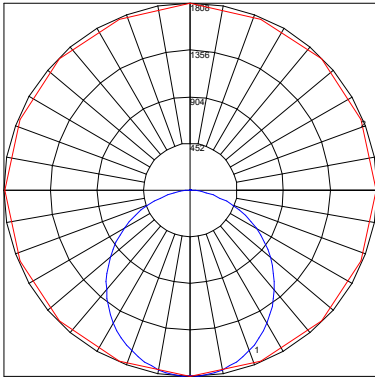
10 years - Consult factory for full warranty information.

APOGEE LIGHTING



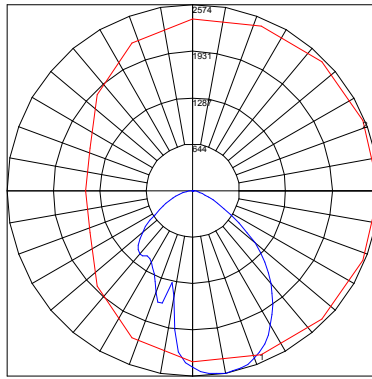
Photometrics

DOWNLIGHT



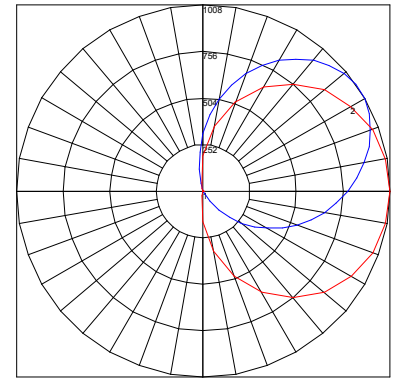
Maximum Candela = 1808.1 Located At Horizontal Angle = 90, Vertical Angle = 2.5
 # 1 - Vertical Plane Through Horizontal Angles (90 - 270) (Through Max. Cd.)
 # 2 - Horizontal Cone Through Vertical Angle (2.5) (Through Max. Cd.)

ASYMMETRIC DOWNLIGHT



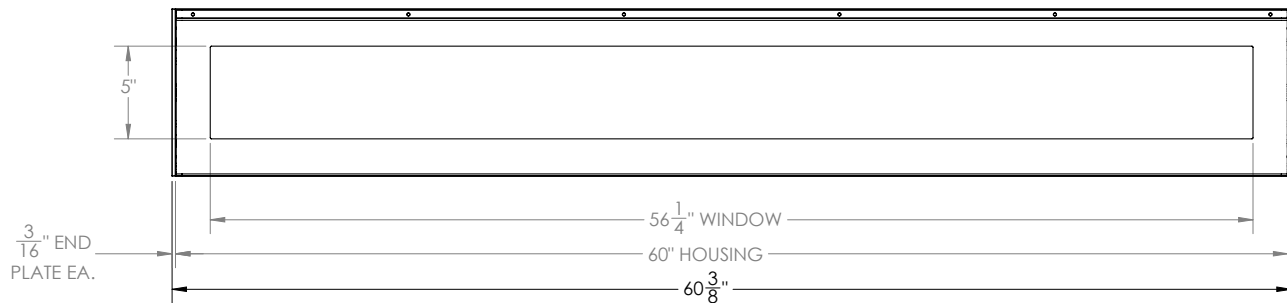
Maximum Candela = 2574.4 Located At Horizontal Angle = 0, Vertical Angle = 10
 # 1 - Vertical Plane Through Horizontal Angles (0 - 180) (Through Max. Cd.)
 # 2 - Horizontal Cone Through Vertical Angle (10) (Through Max. Cd.)

UPLIGHT

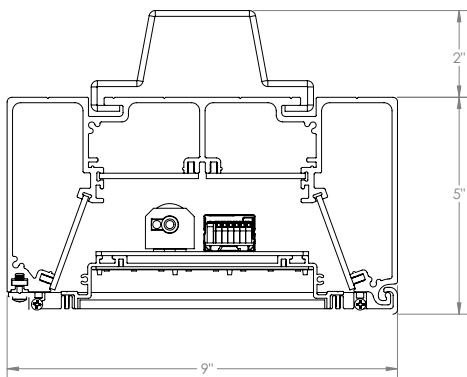


Maximum Candela = 1007.76 Located At Horizontal Angle = 0, Vertical Angle = 120
 # 1 - Vertical Plane Through Horizontal Angles (0 - 180) (Through Max. Cd.)
 # 2 - Horizontal Cone Through Vertical Angle (120) (Through Max. Cd.)

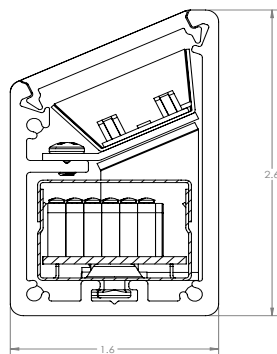
Technical Drawings



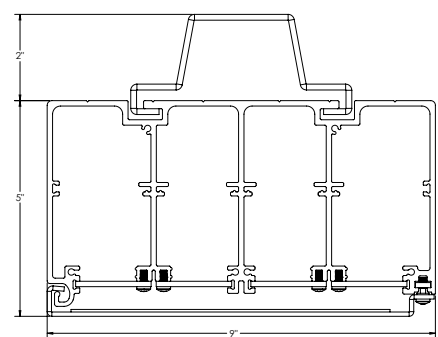
Downlight with Integral 4 Compartment Wireway.



Uplight Component

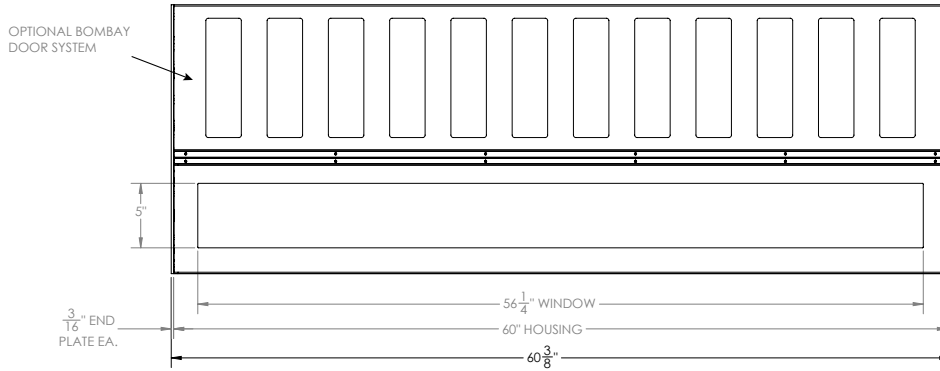


4 Way Compartment Wireway with Bombay Door

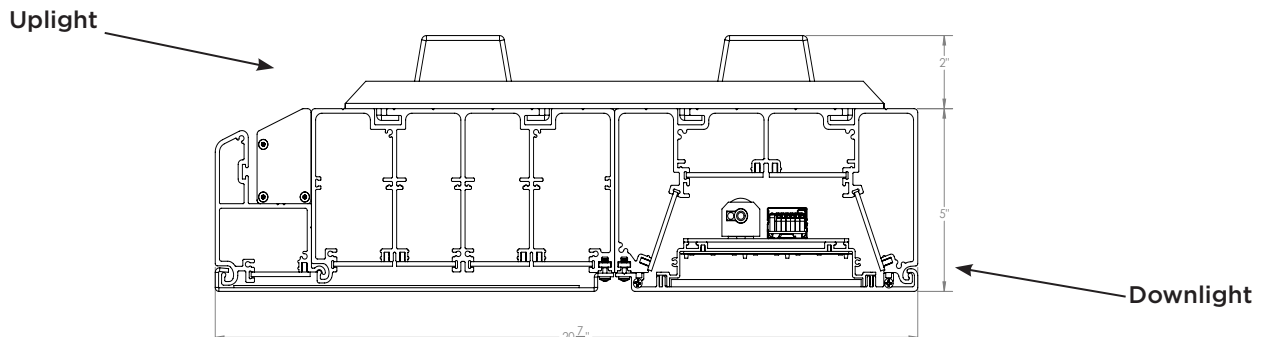


Technical Drawings

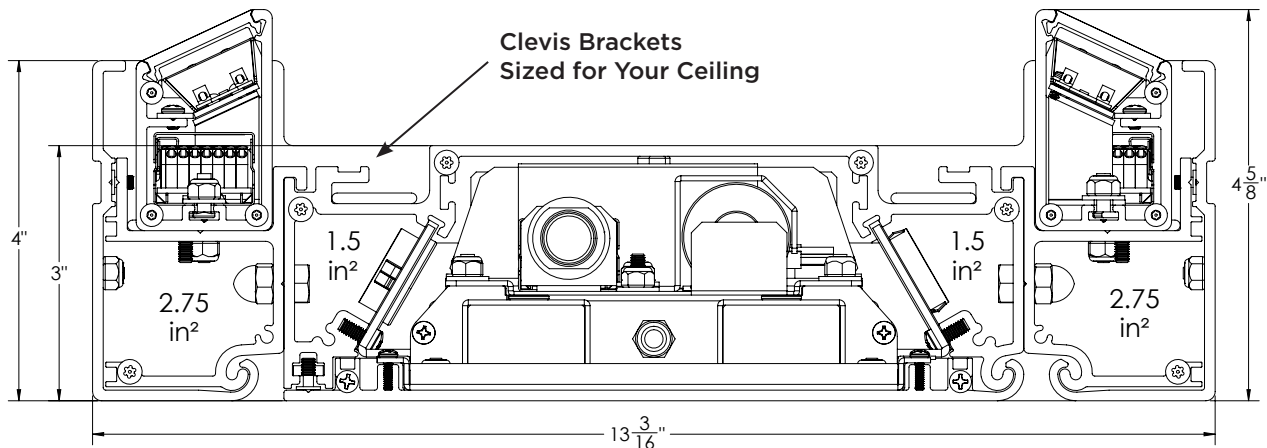
Bombay Complete System Top View



Bombay Complete System Section View

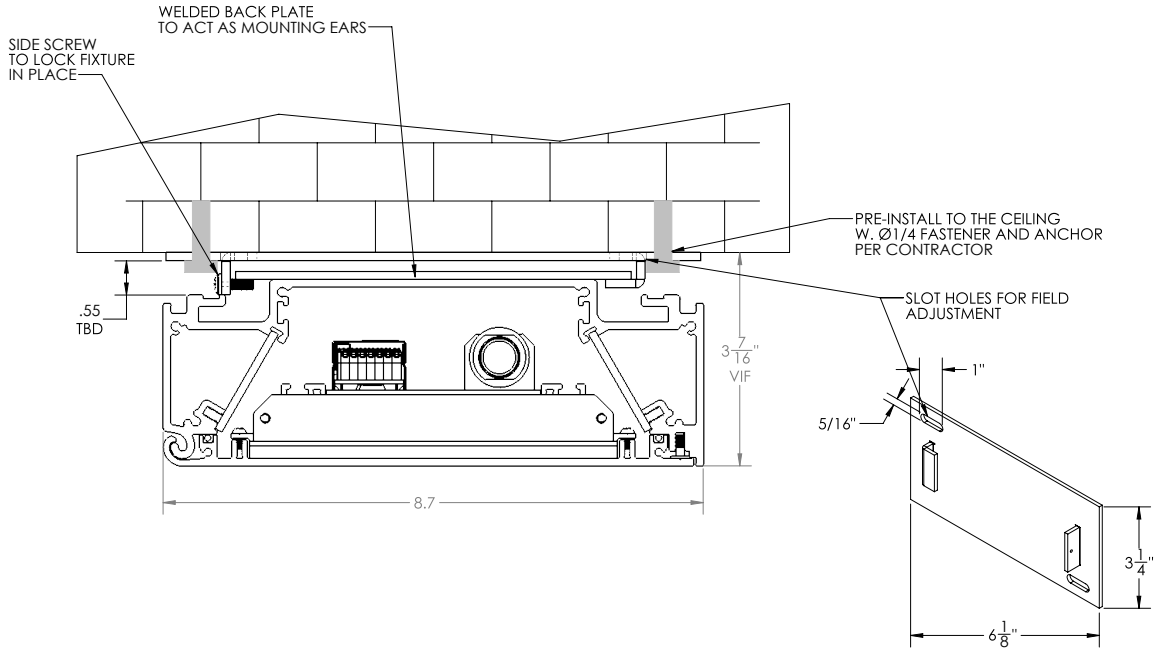


Low Plenum Downlight with Saddle Bag Uplights

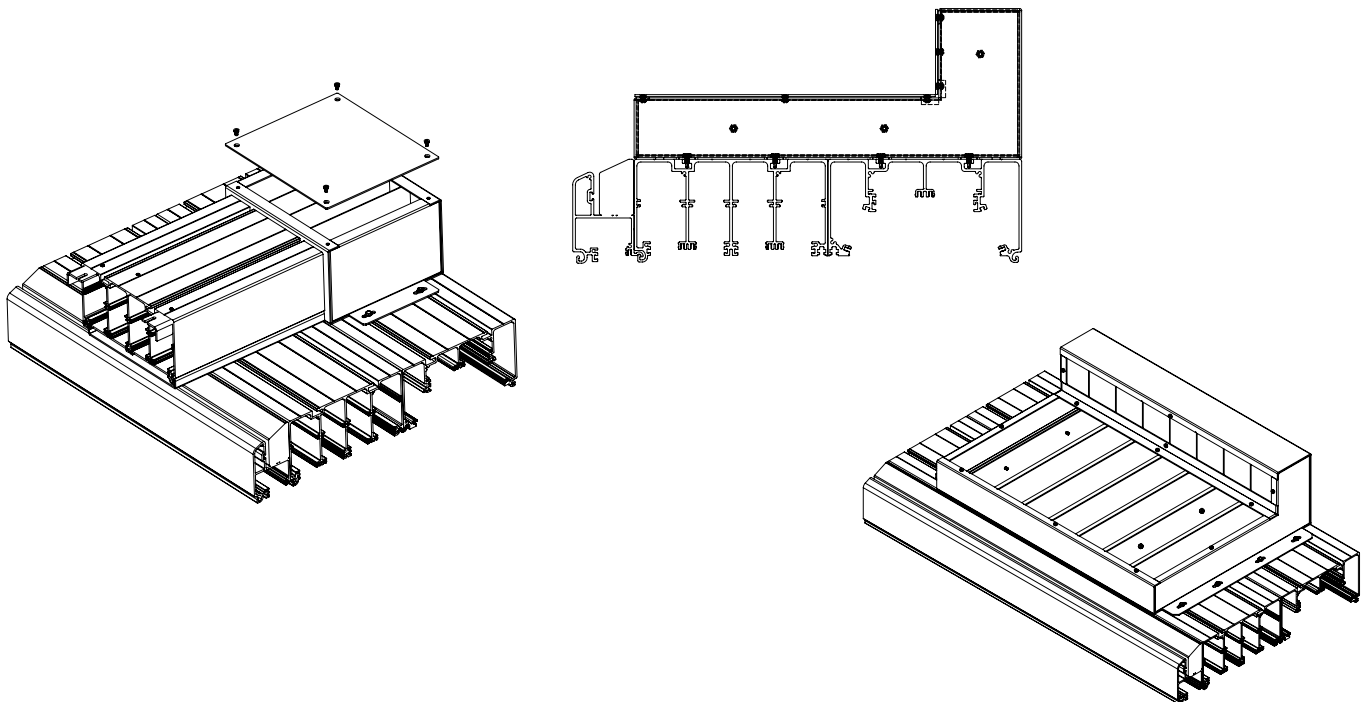


Technical Drawings

Low Plenum Downlight



Custom Tap Boxes (options shown are for reference)



ORDERING INFORMATION FOR PLATFORM LIGHTING SYSTEM

SERIES	DOWNLIGHT OUTPUT	UPLIGHT OUTPUT	COLOR	CHANNEL	LENGTH	MOUNTING	DIMMING & CONTROL	FINISH	OPTIONS
PLSD - Downlight Fixture	SD - Standard 8.4W/840 lumens per foot	SU - Standard 4W/400 lumens per foot	30 - 3000k	B - Bombay complete system	2 - 2Ft	P - Pendant	STD- Standard 0-10V dimming	AB - Apogee Black	EM - Hybrid 600VD-C/120-277VAC EM system
PLSU - Uplight Fixture	HD - High 15W/1500 lumens per foot	HU - High 6W/600 lumens per foot	35 - 3500k	SB - Bombay saddlebag system	3 - 3Ft	CL - Surface Clevis	DA - DALI Dimming and Control	AS - Apogee Silver	*DM - Dali EM Monitoring System
			40 - 4000k	SA - 4 compartment integrated wireway only (fixture only)	4 - 4Ft	W - Wall mount		GM - Gunmetal	BO - Black oxide Hardware
			50 - 5000k	C - Custom wireway configurations available, consult factory	5 - 5Ft	O - other mounting options available, consult factory		BS - Black Steel	PW - Factory pre-wired electrical system
					6 - 6Ft			PG - Platinum Gray	ASY - Asymmetric photometric distribution - consult factory for lens options
						RUN - Consult Factory		RAL - Custom RAL, provide RAL number here.	BB - 90 Minute Battery Backup
								NC - Nanocoat	PA - Integral Speakers
									CC - Integral Surveillance Camera
									FS - Integral Fire Strobe

Sample Number: PLSD-HD-45-B-4-P-STD-AB-EM

*Available only with DALI Dimming and Control

Lumen Factor

LUMEN FACTOR	
CCT	MULTIPLIER
2700K	0.96
3000K	1
3500K	1.03
4000K	1.05
4500K	1.05
5000K	1.05
6500K	1.05

