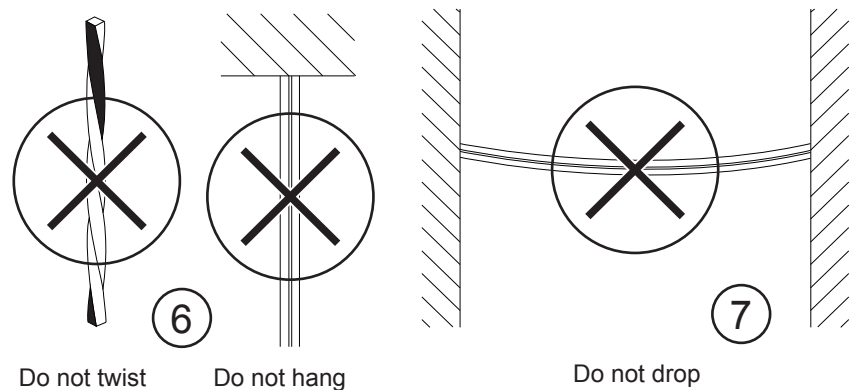
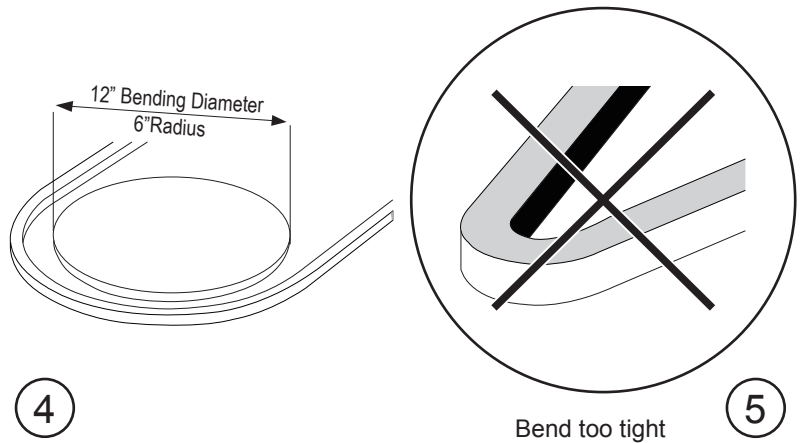
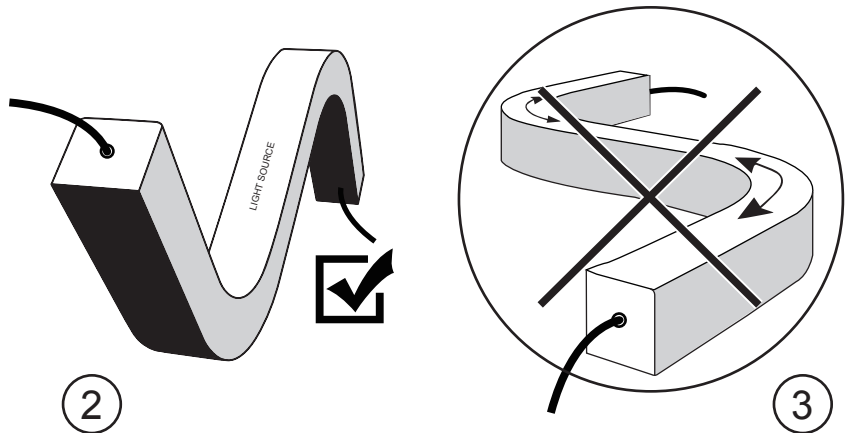
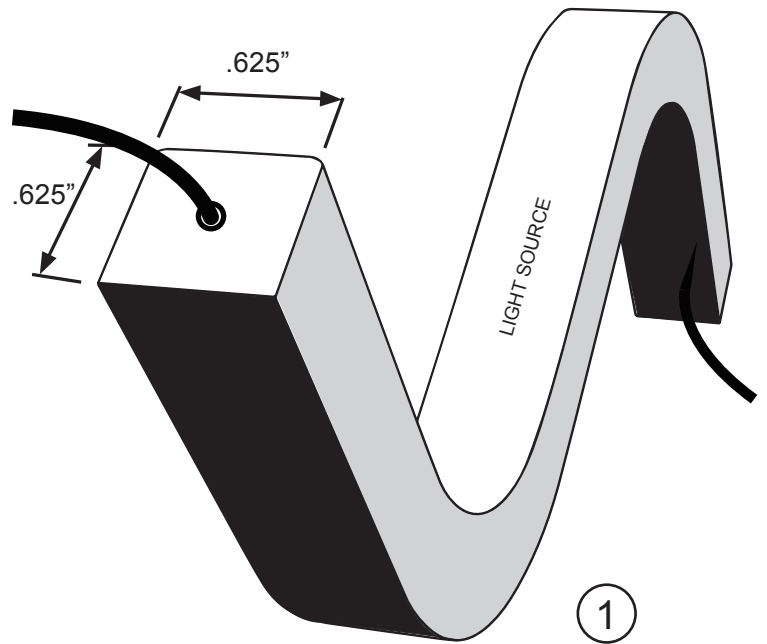
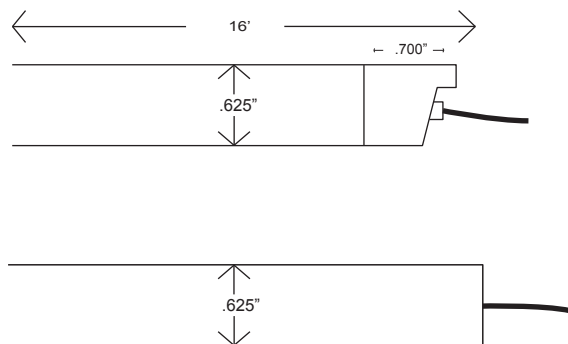


# PURE FLEX TOP USER INSTRUCTIONS

1. Ambient operating temperature: -13°F to 113°F.
2. Make sure that even during installation, the predetermined bending direction is NEVER changed. The product is TOP bending only, and can not be twisted or bent LEFT or RIGHT
3. PURE FLEX TOP shall not be bent sharply.
4. The maximum bending radius is 6", over-bending will damage the product and void any warranty.
5. During the installation, the PURE FLEX TOP can not be:
  - Twisted
  - Dropped
  - Sagging/Hanging down
  - Bent at a radius of less than 6"
6. 3 installation methods:
  - Mounting clips
  - Aluminum channel
  - Curved profile
7. \*PureFlex is cuttable every 4".  
New driver may be necessary if shortening the length.  
\* Consult factory for compatible driver per each length of run.

## STANDARD DIMENSION



2x      12 x      Install Clips 6" apart      3Ft

Aluminum Channel  
(Optional)  
Provided in 8' sections,  
cut to size in the field

Clean with rubbing alcohol

The end cap cannot be installed into the aluminum profile.

≤1x Recommended Cutting Tool: Craftsman Handi-Cut #37301

Cut along dotted line

Make straight cut only

90°    
 90°

GLUE = IP68

Do not bend beyond a 6" radius

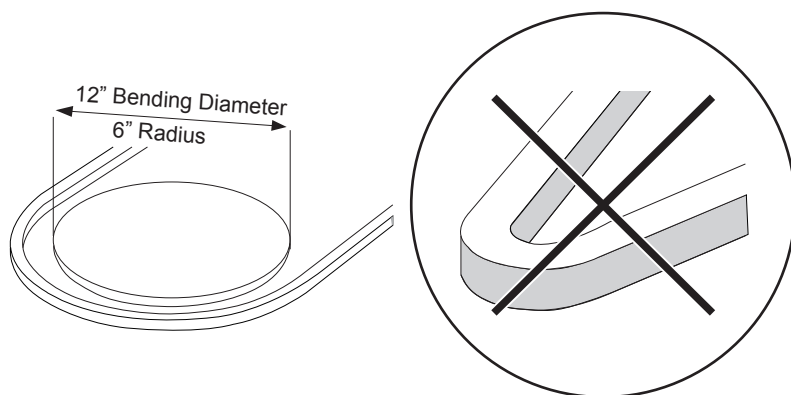
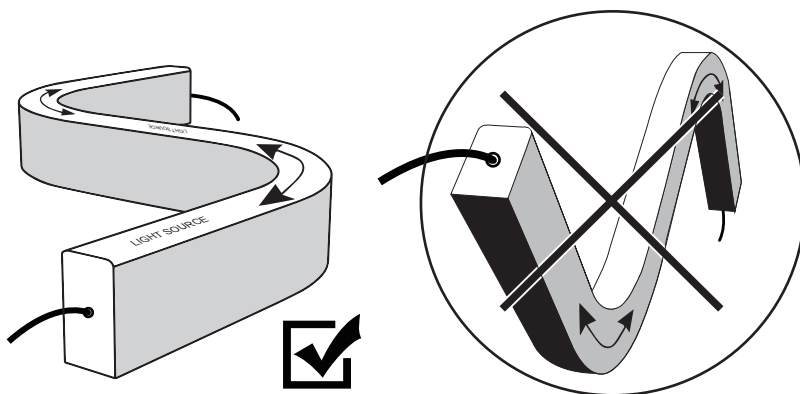
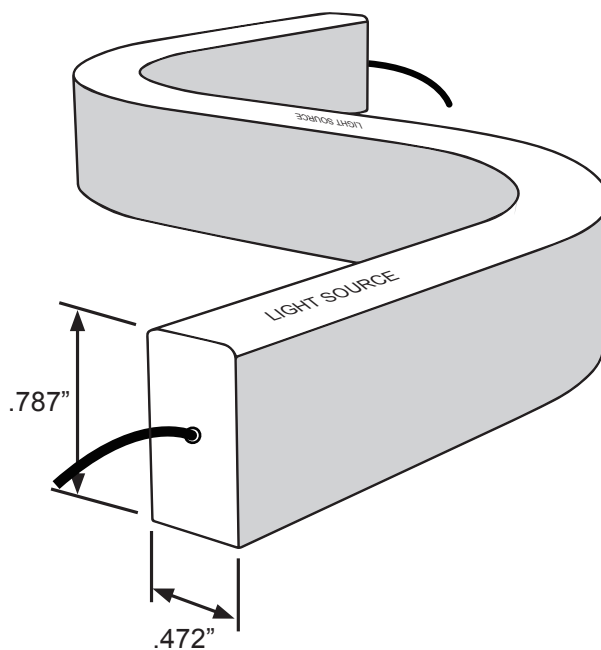
Two Person Installation

Do not bend beyond a 6" radius

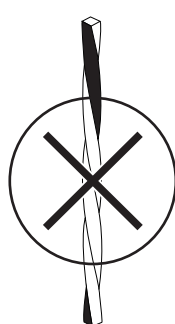
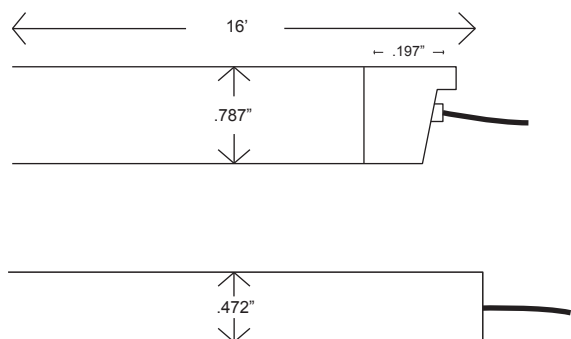
Do not allow PureFlex to twist

# PURE FLEX SIDE USER INSTRUCTIONS

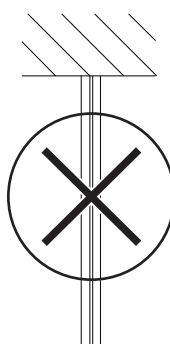
1. Ambient operating temperature:  $-13^{\circ}\text{F}$  to  $113^{\circ}\text{F}$ .
2. Make sure that even during installation, the predetermined bending direction is NEVER changed. The product is SIDE bending only, and can not be twisted or bent LEFT or RIGHT
3. PURE FLEX SIDE shall not be bent sharply.
4. The maximum bending radius is 6", over-bending will damage the product and void any warranty.
5. During the installation, the PURE FLEX SIDE can not be:
  - Twisted
  - Dropped
  - Sagging/Hanging down
  - Bent at a radius of less than 6"
6. 3 installation methods:
  - Mounting clips
  - Aluminum channel
  - Curved profile
7. \*PureFlex is cuttable every 4".  
New driver may be necessary if shortening the length.  
\* Consult factory for compatible driver per each length of run.



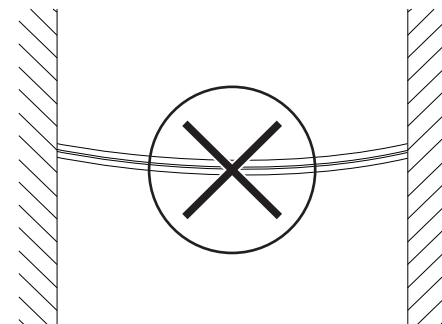
## STANDARD DIMENSIONS



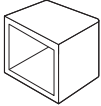


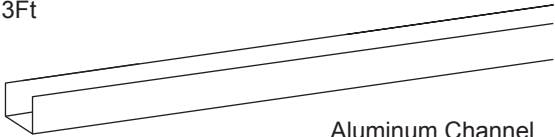
Do not twist



Do not hang

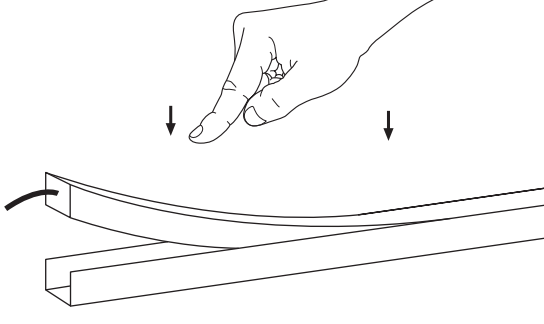
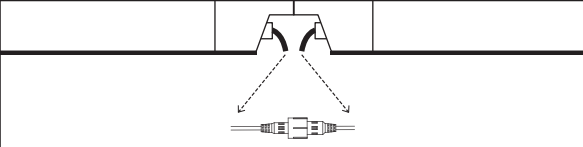


Do not drop



2 x  3 x  3 x  3Ft 

Aluminum Channel  
(Optional)  
Provided in 8' sections,  
cut to size in the field

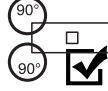
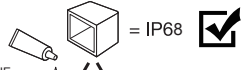
Clean with rubbing alcohol

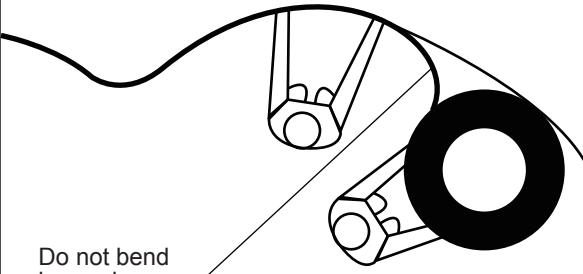
Seamless Connection

 ≤1x  Recommended Cutting Tool:  
Craftsman Handi-Cut #37301

Cut along dotted line

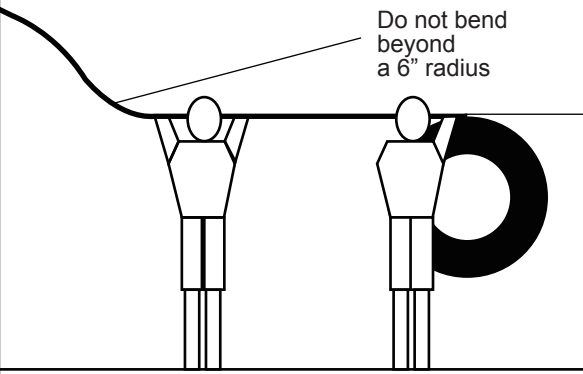



GLUE



Do not bend beyond a 6" radius

Two Person Installation



Do not bend beyond a 6" radius

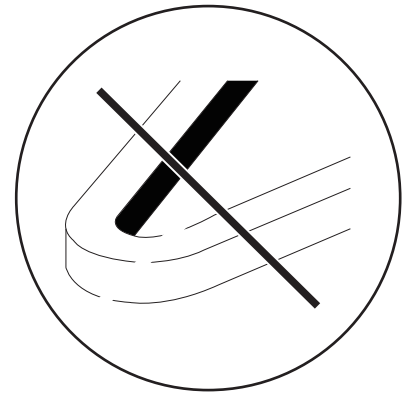
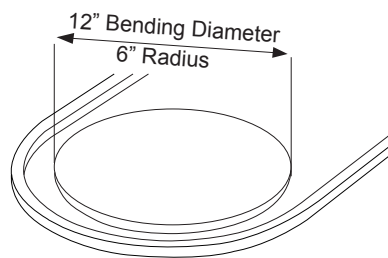
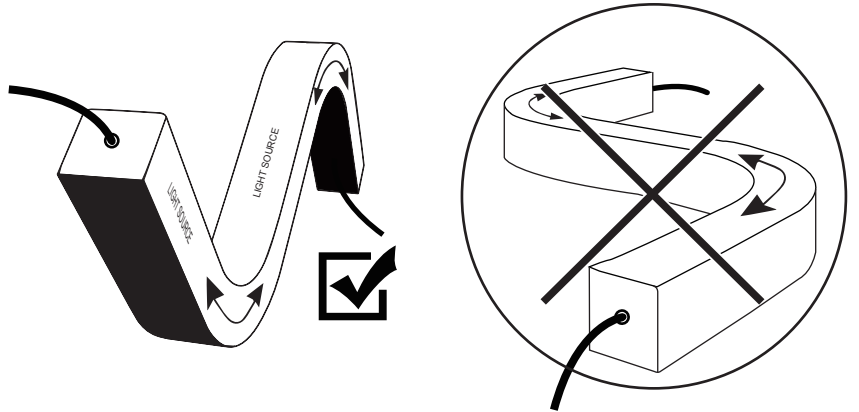
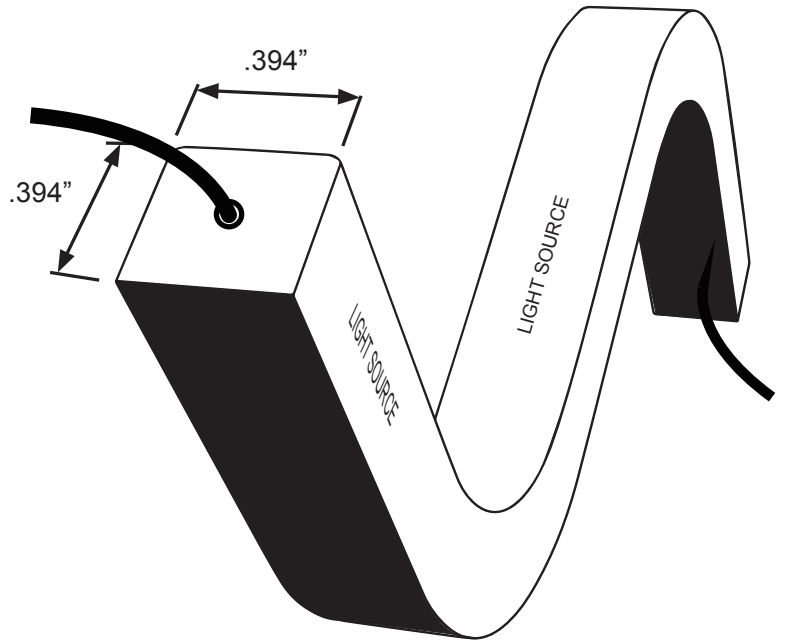
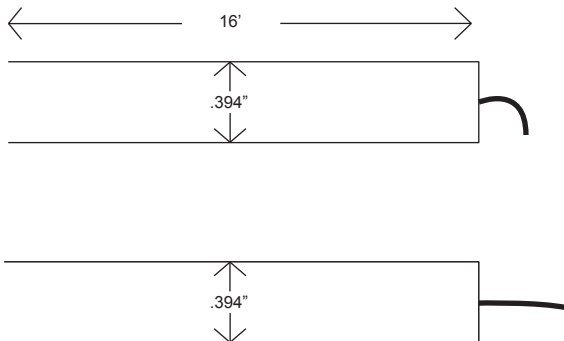
Do not allow PureFlex to twist

# PURE FLEX MINI USER INSTRUCTIONS

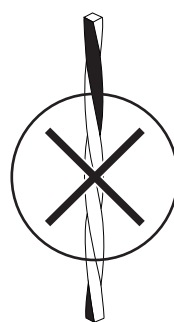
1. Ambient operating temperature:  $-13^{\circ}\text{F}$  to  $113^{\circ}\text{F}$ .
2. Make sure that even during installation, the predetermined bending direction is NEVER changed. The product is TOP bending only, and can not be twisted or bent LEFT or RIGHT
3. PURE FLEX MINI shall not be bent sharply.
4. The maximum bending radius is 6", over-bending will damage the product and void any warranty.
5. During the installation, the PURE FLEX MINI can not be:
  - Twisted
  - Dropped
  - Bent at a radius of less than 6"
  - Sagging/Hanging down
6. 3 installation methods:
  - Mounting clips
  - Aluminum channel
  - PC profile

7. PureFlex Mini is cuttable every 4".  
New driver may be necessary if shortening the length.  
\* Consult factory for compatible driver per each length of run

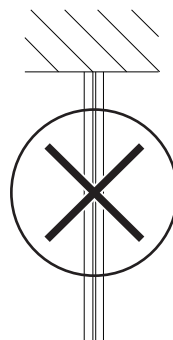
## STANDARD DIMENSION



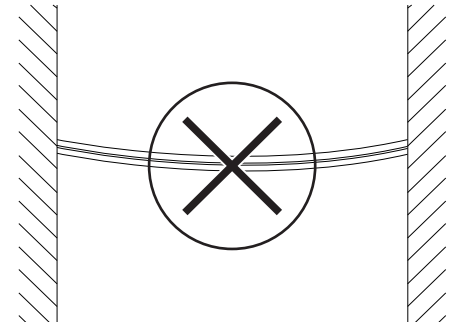
Bend too tight



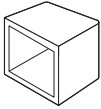


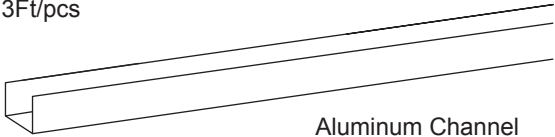
Do not twist




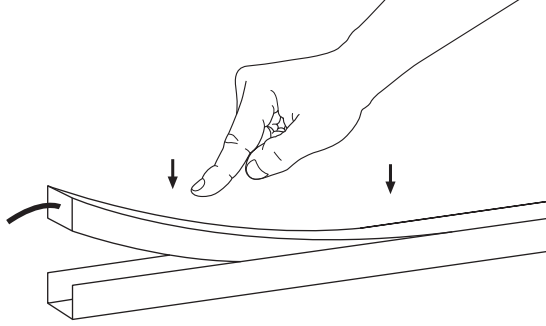
Do not hang



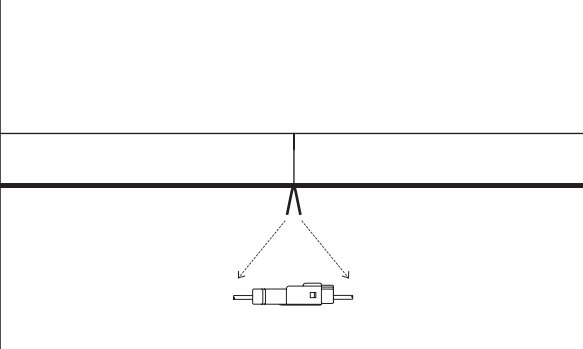
Do not drop

2x 	3x 	3x  Space mounting clips 6" apart	3Ft/pcs  Aluminum Channel (Optional) Provided in 3' sections, cut to size in the field
---	---	---	---


Clean with rubbing alcohol

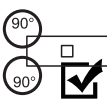
Optional with Aluminum Profile




Seamless Connection

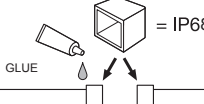
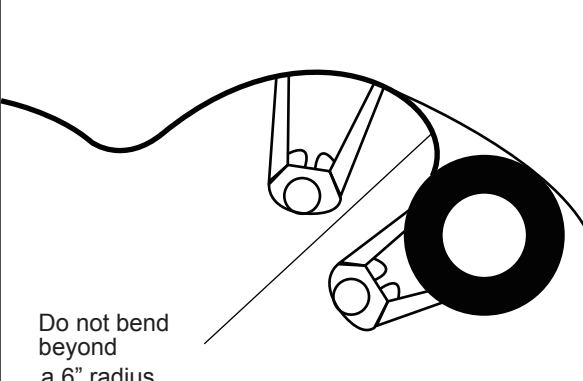
 ≤ 1x Recommended Cutting Tool:  
Craftsman Handi-Cut #37301

Cut along dotted line



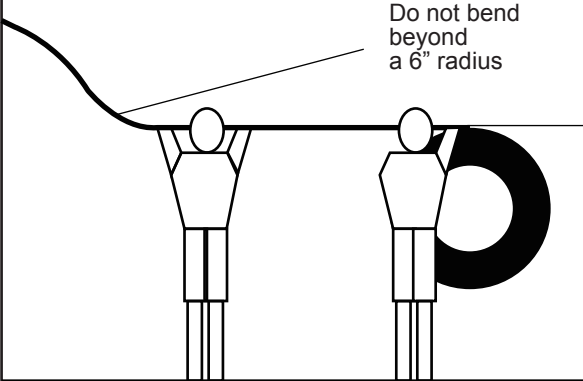
90°  
90°

GLUE = IP68 

Do not bend beyond a 6" radius

Two Person Installation



Do not bend beyond a 6" radius

Do not allow PureFlex to twist