

 IK10 Rated
Vandal
Resistant

 Highest
Reliability

 Natatorium
Rated
Systems

 IP Rated

 Dim To
Dark

 Glare
Free

 No LED
Lense
Imaging

Features

OUTPUT

Programmable in 1W increments up to 16W for

- 4" and 20W for 6" version.
- 4" fixture delivers 103 lm/w at 3000k.
- 6" fixture delivers 112 lm/w at 3000k.
- See lumen factor chart for other

SOURCE

Custom sorted and binned, high efficiency LED engines with minimum 2.5 SCDM color consistency. LED lifetime exceeds 50k hours at all outputs at ambient temperatures up to 125F.

CONNECTOR

- IP67 Rated quick connect with linked cord.
- Standard linking cord is 10'.
- Other lengths available, consult factory for more info.

FINISH

- Black, White or Gunmetal
- Custom RAL available, consult factory

MOUNTING

- Integrated recessed ceiling brackets.
- Surface mount kit also available.

DRIVER

Remote and Local driver options available. Boxes can be customized for your application and mounting requirements.

- **Standard 0-10V:** 120-277VAC, 0-10V Dims to Dark (1%), Class II/B, THD < 10%, PF > 0.95. Programmable in 1mA increments up to 96W.
- **IP67 Rated 0-10V:** 90-305VAC, IP67 rated, 0-10 V dimming, dims down to 1%, Programmable in 1mA increments up to 96W.
- **DALI:** 120-277VAC, Dims to Dark (1%), Class II/B, THD < 10%, PF > 0.95. Programmable in 1mA increments up to 96W.

HOUSING

Anodized, cast aluminum with 3 Mil post powder coat finish. All hardware is stainless steel. All gaskets are continuous die cut silicone. All lenses are low smoke, F1 (UV protected outdoor) rated polycarbonate or frosted safety glass.

OPTIONS

Apogee Hybrid EM 200-1200VDC operation indefinitely at full lumen output or 4 hour Battery Backup-at selectable output to achieve

NFPA minimum light levels for path of egress. Optional Dali monitoring included with Dali driver option. Consult factory for compatible control system options.

- Remote 90 Minute emergency battery backup
- Local driver box (sizes and mounting TBD)
- Remote driver box (size and mounting TBD)
- Surface Mount Kit
- Safety glass lens (fixture is only IK08 with this option)

CERTIFICATIONS

UL Listed, IBEW (local 3) Union-Made in the USA. IP65 Rated. IK10 Rated. Salt spray environment approved. Blowing rain tested and approved. Fine metal dust tested and approved (Train brake dust simulation). Blast test rated for tunnel usage. Vibration tested to 2G sinusoidal motion. EMI tested for conducted and radiated emissions, proven not to interfere with emergency broadcast systems.

Certifications available upon request.

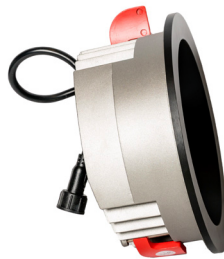
APOGEE LIGHTING



Lumen Factor

LUMEN FACTOR	
CCT	MULTIPLIER
2700K	0.96
3000K	1
3500K	1.03
4000K	1.05
4500K	1.05
5000K	1.05
6500K	1.05

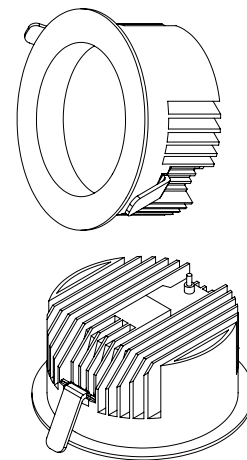
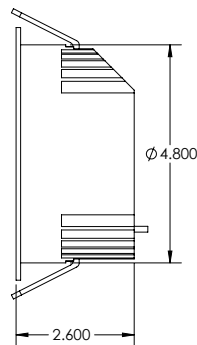
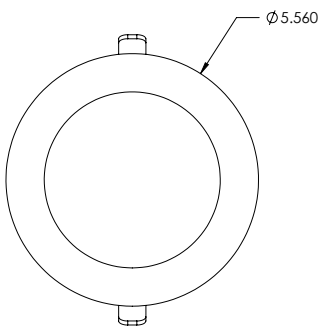
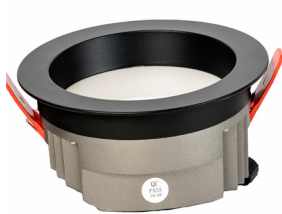
6" Model



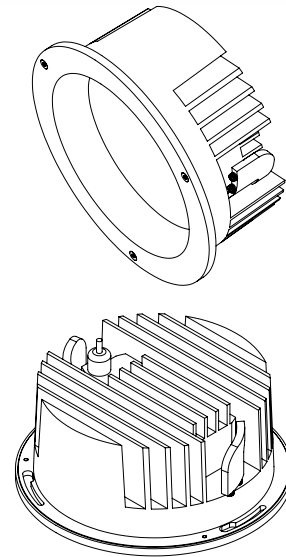
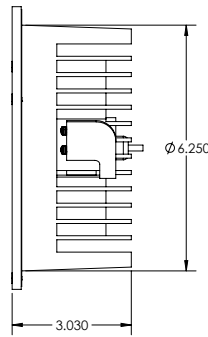
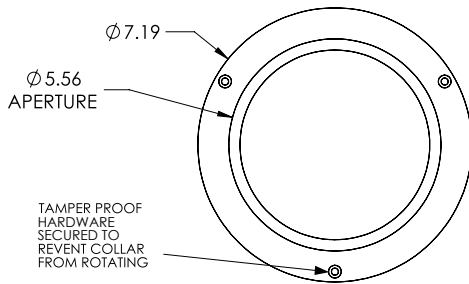
4" Model



4" Recessed Downlight

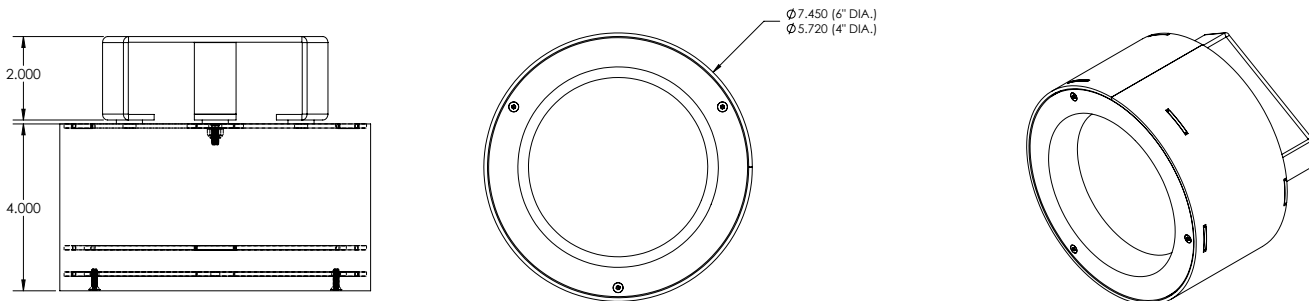


6" Recessed Downlight

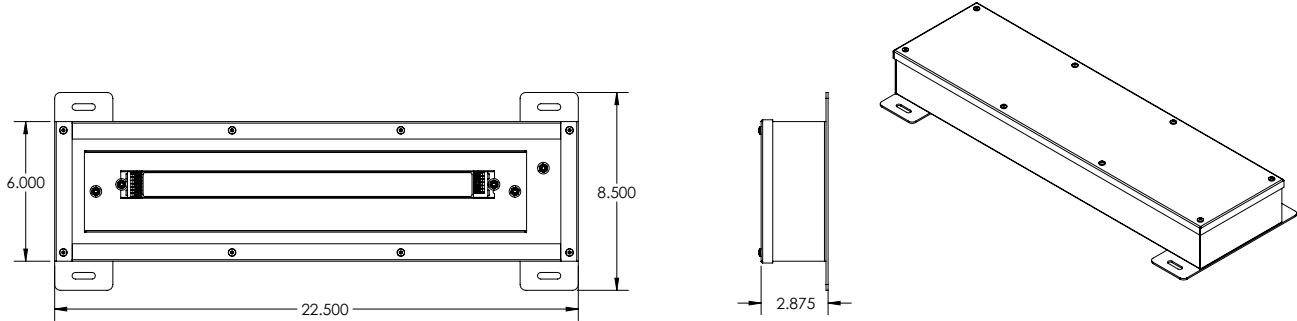


Tamperproof bezel option
Necessary for 2G vibration ratings

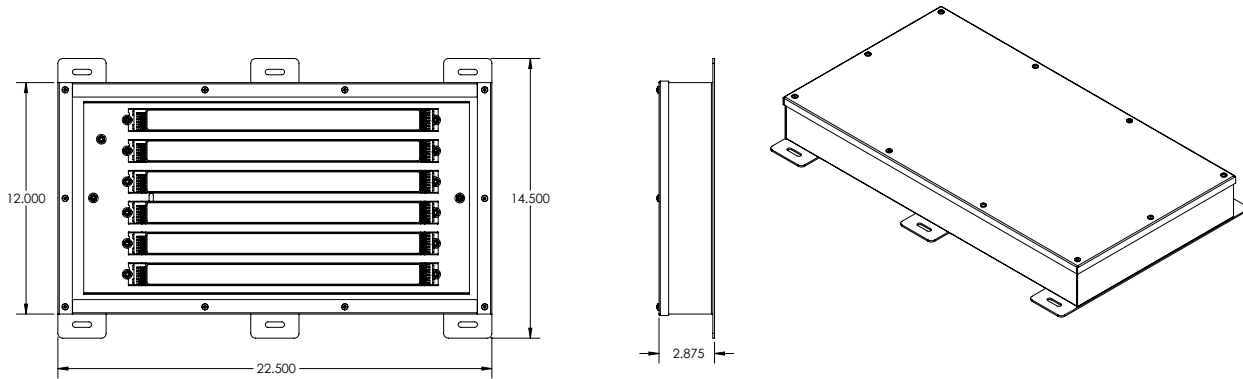
Typical Surface Mount Enclosure Kit



Standard Single Driver Box



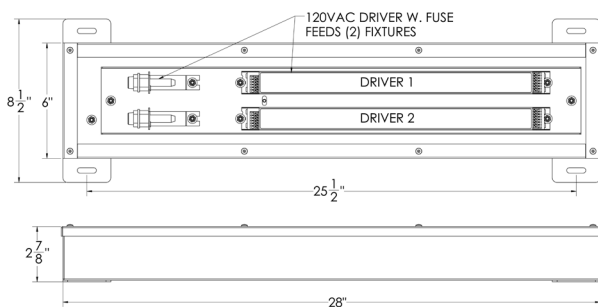
6 Power Supply Box For Large Scale Deployment



Note: Feed inputs and outputs determined by project requirements.

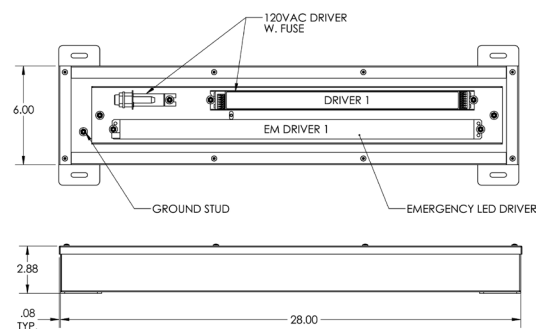
Typical Infrastructure Power Supply Box

For up to 2 drivers programmable up to 2.1A each
(Typical 2 fixtures per driver)



Standard Emergency Driver Box

For 1 driver and 90 minute emergency backup



ORDERING INFORMATION IP65 4 DOWNLIGHT

SERIES	SIZE	CCT	POWER	DIMMING	OPTIONS
IP65D - IP65 DOWNLIGHT	4 - 4"	30 - 3000K	4-16 - Available from 4W thru 16W	STD - Standard 0-10V	EM - 90 Minute Battery Backup
		35 - 3500K		DA - Dali	HEM - Hybrid EM
		40 - 4000K		ID - Infrastructure compliant driver box	
				LD - Local Driver Box	
				RD - Remote Driver Box	
				SK - Surface Mount Kit	
				SG - Safety Glass Lens	

Sample Number: IP65D-4-30-12-STD-LD

ORDERING INFORMATION IP65 6 DOWNLIGHT

SERIES	SIZE	CCT	POWER	DIMMING	OPTIONS
IP65D - IP65 DOWNLIGHT	6 - 6"	30 - 3000K	4-20 - Available from 4W thru 20W	STD - Standard 0-10V	EM - 90 Minute Battery Backup
		35 - 3500K		DA - Dali	HEM - Hybrid EM
		40 - 4000K		ID - Infrastructure compliant driver box	
				LD - Local Driver Box	
				RD - Remote Driver Box	
				SK - Surface Mount Kit	
				SG - Safety Glass Lens	

Sample Number: IP65D-6-35-20-STD-HEM

