

 IK10 Rated
Vandal
Resistant

 Highest
Reliability

 Hybrid EM
Technology

 IP Rated

 10 Year
Warranty

 Glare
Free

 Mounting
Options

Features

OUTPUT

- Fully configurable, programmable light engine system with maximum output of 14W per foot and 1500 lumens per foot.
- Standard output is 8.4W per foot / 910 lumens per foot. Output factoring chart for different options can be referenced below.

MATERIALS

- Rugged, 3 mil Post powder coat extruded aluminum housings, minimum wall thickness of .125". Rated to IK10 vandal resistance. All systems rated minimum of IP65. All hardware is stainless steel. All gaskets are continuous die cut silicone. All lenses are low smoke, F1 (UV protected outdoor) rated polycarbonate. Custom Transitions available to meet existing field conditions - Consult factory for more information.

SOURCE

- Custom sorted and binned, high efficiency LED engines with minimum 2.5 SCDM color consistency. LED lifetime exceeds 50k hours at all outputs at ambient temperatures up to 125F.

FINISH

- **Standard colors are:**
- Matte White
- Apogee Matte Black
- Apogee Silver
- Gunmetal
- Platinum Gray
- Custom RAL options available, consult factory
- Optional NanDust and Moisture Resistant Nanocoating

U.S. PATENT No: 9,638,398

OPTIONS

- **Integrated Hybrid EM provides:**
200-1200VDC operation indefinitely at full lumen output in fixtures up to 6' length at standard output. or 4 hour Battery Backup at selectable output to achieve NFPA minimum light levels for path of egress. EM system is mounted to the door and is included in the NERS program. Magnetic test switch and local status indicator lights mounted next to the lens on the fixture face for quick status monitoring. Optional Dali monitoring included with Dali driver option. Consult factory for compatible control system options

DRIVER

- Standard 0-10V: 120-277VAC, 0-10V Dims to Dark (1%), Class II/B, THD < 10%, PF > 0.95. Programmable in 1mA increments up to 75W. - IP67 Rated 0-10V: 90 305VAC, IP67 rated, 0-10V dimming, dims down to 1%, Programmable in 1mA increments up to 75W.
- DALI: 120-277VAC, Dims to Dark (1%), Class II/B, THD < 10%, PF > 0.95. Programmable in 1mA increments up to 75W.

MOUNTING

Surface, Recessed, Pendant, Corner

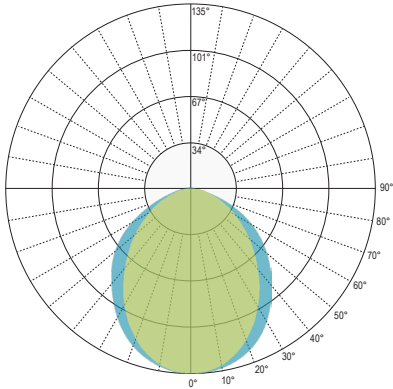
CERTIFICATIONS

UL Listed/cUL Listed, IBEW (local 3) Union-Made in the USA. IP65 Rated. IK10 Rated. Salt spray environment approved. Blowing rain tested and approved. Fine metal dust tested and approved (Train brake dust simulation). Blast test rated for tunnel usage. Vibration tested to 2G sinusoidal motion. EMI tested for conducted and radiated emissions,

APOGEE LIGHTING



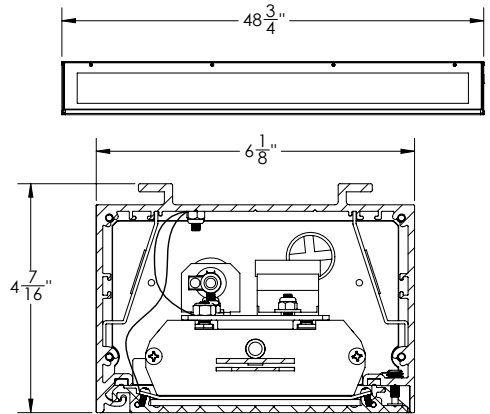
Photometrics



Lumen Factor

LUMEN FACTOR	
CCT	MULTIPLIER
2700K	0.96
3000K	1
3500K	1.03
4000K	1.05
4500K	1.05
5000K	1.05
6500K	1.05

Technical Drawings



Typical 4' nominal fixture length shown

ORDERING INFORMATION SERIES GC46

SERIES	OUTPUT	COLOR	LENGTH	MOUNTING	DIMMING & CONTROL	FINISH	OPTIONS
GC46	SD - Standard 8.4W/840 lumens per foot	30 - 3000k	2 - 2Ft	P - Pendant Mount	STD - Standard 0-10V dimming	WH - Matte White	EM - Hybrid 600VD-C/120-277VAC EM system
	HD - High 15W/1500 lumens per foot	35 - 3500k	3 - 3Ft	R - Recessed Mount	DA - DALI Dimming and Control	AB - Apogee Black	*DM - Dali EM Monitoring System
	C6-14 - Custom Output from 6W - 14W per foot	40 - 4000k	4 - 4Ft	CL - Surface Clevis	347-347 Volt Driver	AS - Apogee Silver	BO - Black oxide Hardware
		50 - 5000k	5 - 5Ft	W - Wall mount		GM - Gunmetal	BB - 90 Minute Battery Backup
			6 - 6Ft	O - other mounting options available, consult factory		BS - Black Steel	
			RUN - Consult Factory			PG - Platinum Gray	
						RAL - Custom RAL, provide RAL number here.	
						NC - Nanocoat	

Sample Number: GC46-HD-40-6-P-STD-AS-EM

*Available only with DALI Dimming and Control

