



IK10 Rated
Vandal
Resistant



Highest
Reliability



Hybrid EM
Technology



IP Rated



10 Year
Warranty



Glare
Free



Mounting
Options

Features

OUTPUT

- Fully configurable, programmable light engine system with maximum output of 14W per foot and 1500 lumens per foot.
- Standard output is 8.4W per foot / 910 lumens per foot. Output factoring chart for different options can be referenced below.

SOURCE

- Custom sorted and binned, high efficiency LED engines with minimum 2.5 SCDM color consistency. LED lifetime exceeds 50k hours at all outputs at ambient temperatures up to 125F.

MATERIALS

- Rugged, 3 mil Post powder coat extruded aluminum housings, minimum wall thickness of .125". Rated to IK10 vandal resistance. All systems rated minimum of IP65. All hardware is stainless steel. All gaskets are continuous die cut silicone. All lenses are low smoke, F1 (UV protected outdoor) rated polycarbonate. Custom Transitions available to meet existing field conditions - Consult factory for more information.

DRIVER

- Standard 0-10V: 120-277VAC, 0-10V Dims to Dark (1%), Class II/B, THD < 10%, PF > 0.95. Programmable in 1mA increments up to 75W. - IP67 Rated 0-10V: 90-305VAC, IP67 rated, 0-10V dimming, dims down to 1%, Programmable in 1mA increments up to 75W.
- DALI: 120-277VAC, Dims to Dark (1%), Class II/B, THD < 10%, PF > 0.95. Programmable in 1mA increments up to 75W.

MOUNTING

- Surface, Recessed, Pendant, Corner

CERTIFICATIONS

- UL Listed/cUL Listed, IBEW (local 3) Union-Made in the USA. IP65 Rated. IK10 Rated. Salt spray environment approved. Blowing rain tested and approved. Fine metal dust tested and approved (Train brake dust simulation). Blast test rated for tunnel usage. Vibration tested to 2G sinusoidal motion. EMI tested for conducted and radiated emissions, proven not to interfere with emergency broadcast systems. Certifications available upon request.

FINISH

Standard colors are:

- Apogee Matte Black
- Apogee Silver
- Gunmetal
- Platinum Gray
- Custom RAL options available, consult factory
- Optional NanDust and Moisture Resistant Nanocoating

OPTIONS

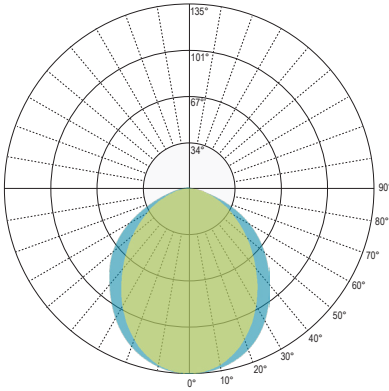
Integrated Hybrid EM provides:

200-1200VDC operation indefinitely at full lumen output in fixtures up to 6' length at standard output. Can also deliver 4 hour Battery Backup at selectable outputs to achieve NFPA minimum light levels for path of egress. EM system is mounted to an additional end compartment box that adds 20.75" of additional length. The compartment has its own hinged door with solid extruded door. A Magnetic test switch and local status indicator lights mounted next to the lens on the fixture face for quick status monitoring. Optional Dali monitoring included with Dali driver option. For continuous runs of fixtures with the same EM options, please refer to our GC46 product. Consult factory for compatible control system options.

APOGEE LIGHTING



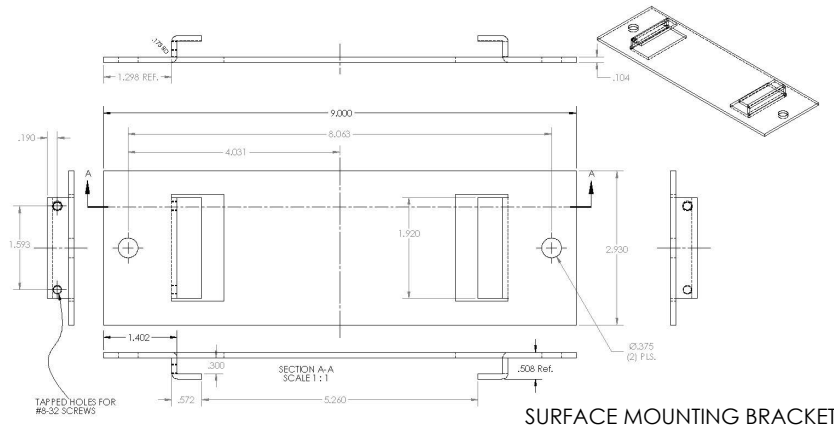
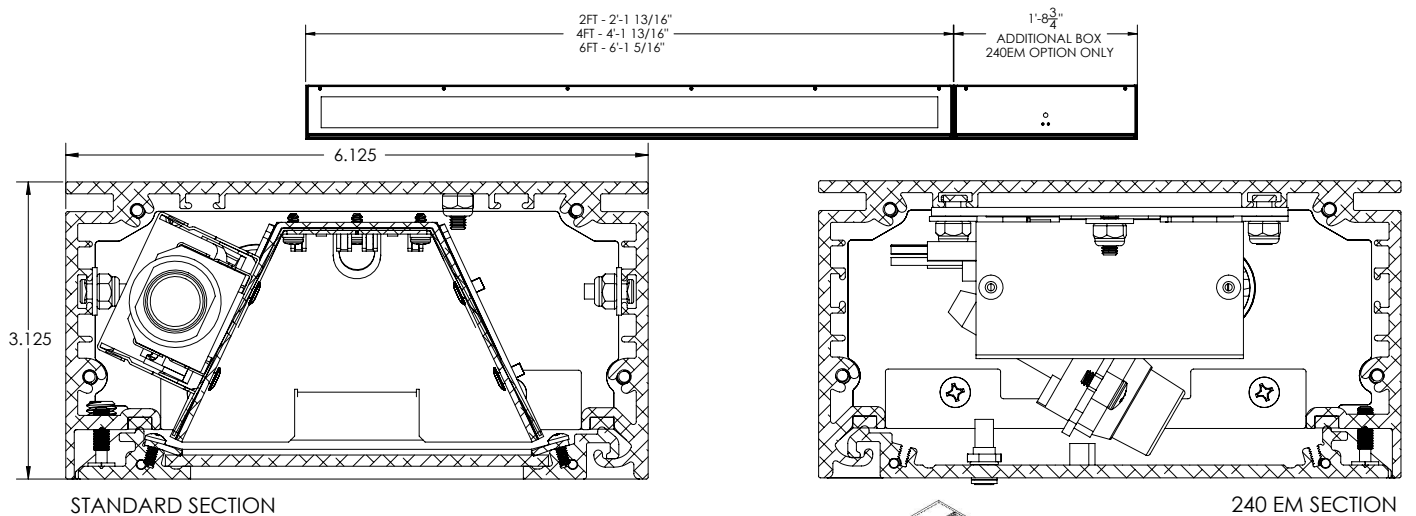
Photometrics



Lumen Factor

LUMEN FACTOR	
CCT	MULTIPLIER
2700K	0.96
3000K	1
3500K	1.03
4000K	1.05
4500K	1.05
5000K	1.05
6500K	1.05

Technical Drawings



ORDERING INFORMATION SERIES GC36

SERIES	LENGTH	OUTPUT	CCT	MOUNTING	FINISH	LENS	OPTIONS	OPTIONS
GC36	2 - 2Ft	SD - Standard	30 - 3000K	S - Surface	WH - Matte White	FD - Flat Diffused	EM - Hybrid 600VDC/ 120-277VAC EM system	DA - DALI Dimmer
	3 - 3Ft	8.4W/840 lumens per foot	35 - 3500K	P - Pendant	AB - Apogee Black		*DM - Dali EM Monitoring System	
	4 - 4Ft	HD - High	40 - 4000K	C - Corner	AS - Apogee Silver		BO - Black oxide Hardware	
	5 - 5Ft	15W/1500 lumens per foot	50 - 5000K	R - Recessed	GM - Gunmetal		BB - 90 Minute Battery Backup	
	6 - 6Ft	C6-14 - Custom Output from 6W - 14W per foot			BS - Black Steel			
	RUN - Consult Factory				PG - Platinum Gray			
					RAL - Custom RAL, provide RAL number here.			
					NC - Nanocoat			

Sample Number: GC36-4-SD-35-S-GM-FD-EM-DA

*Must add additional 20.75" Box for 240EM

